

BK ALU GRIFF SW

Mâner pentru ventil cu bilă

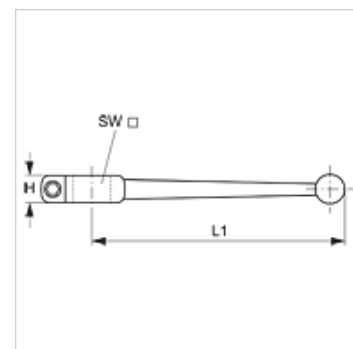
HANSA FLEX

Caracteristici

Forma constructivă drept

Material Aluminiu

adekvat pentru Robinete de oprire cu bilă



Articol

Denumire	H (mm)	L1 (mm)	SW (mm)
BK ALU GRIFF SW 9	11,0	150,0	9
BK ALU GRIFF SW 12	12,0	175,0	12
BK ALU GRIFF SW 14	12,0	200,0	14
BK ALU GRIFF SW 17	16,0	280,0	17
BK ALU GRIFF SW 19	-	300,0	19