

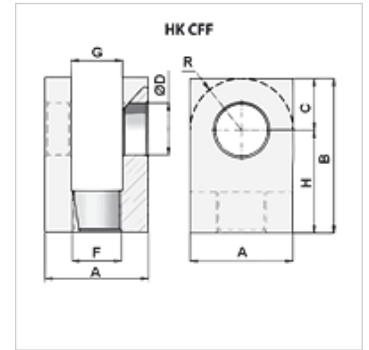
HK CFF

Cap furcă cu filet

HANSA FLEX

Caracteristici

Material Oțel S355J0 (Fe510C)



Articol

Denumire	A (mm)	B (mm)	C (mm)	F	G (mm)	H (mm)	Ø D (mm)	R (mm)	Greutate (kg)
HK CFF 016 1615	35,00	55,00	16,0	M 16x1,5	16,00	39,0	16,20	-	0,30
HK CFF 020 2015	40,00	65,00	20,0	M 20x1,5	20,00	45,0	20,25	-	0,40
HK CFF 025 2420	50,00	75,00	25,0	M 24x2	25,00	50,0	25,25	-	0,75
HK CFF 030 3020	60,00	95,00	30,0	M 30x2	30,00	65,0	30,25	30,00	1,46
HK CFF 035 3320	70,00	110,00	35,0	M 33x2	35,00	75,0	35,25	35,00	1,67
HK CFF 040 3320	80,00	125,00	40,0	M 33x2	40,00	85,0	40,25	40,00	3,20
HK CFF 050 4530	100,00	150,00	50,0	M 45x3	50,00	100,0	50,50	50,00	5,82
HK CFF 060 5640	110,00	165,00	55,0	M 56x4	60,00	110,0	60,50	55,00	7,10