

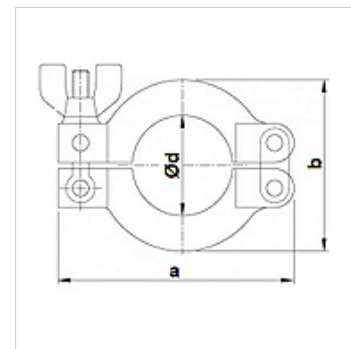
KLEMMSCHEL

Clamp, Aluminium

HANSA FLEX

Caracteristici

Utilizare	Clamping components for small flange connections
Execuție	Clamp aluminium
Standard	DIN 28403 ISO 2861
Material	Aluminiu
Domeniu de temperaturi	aluminiu de la -156 °C până la 150 °C



Indicație

Domeniu de presiune de la 10–7 mbar până la 2,5 bar

Indicații referitoare comandă

Alte modele la cerere

Articol

Denumire	Lățime (mm)	a (mm)	b (mm)	Ø d (mm)
KLEMMSCHEL 010/16	17,0	63,0	45,0	22,0
KLEMMSCHEL 020/25	17,0	73,0	52,0	32,0
KLEMMSCHEL 032/40	17,0	93,0	70,0	47,0
KLEMMSCHEL 050	22,0	114,0	95,0	62,0