

TRI KLAMMER VA

Clamp bracket, VA

HANSA FLEX

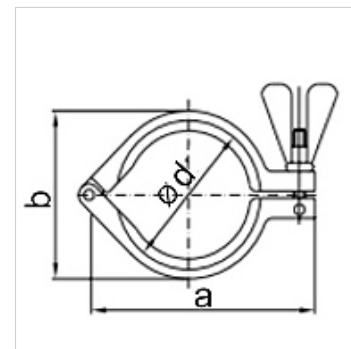
Caracteristici

Utilizare Clamping components for TRI-clamp connections

Standard DIN 32676

Execuție Clamp stainless steel

Material oțel inoxidabil



Indicații referitoare comandă

Alte modele la cerere

Articol

Denumire	a (mm)	b (mm)	Ø d (mm)
TRI KLAMMER 34 VA	63,0	45,0	34,0
TRI KLAMMER 50.5 VA	88,0	64,0	50,5
TRI KLAMMER 64 VA	105,0	77,0	64,0
TRI KLAMMER 91 VA	137,0	104,0	91,0
TRI KLAMMER 119 VA	168,0	132,0	119,0