

O-Ringschnur 75° Shore FPM

Șnur inel O, 75SH FPM

HANSA FLEX

Caracteristici

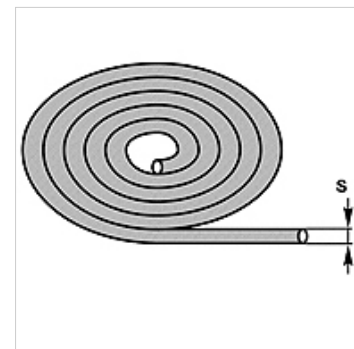
Tip constructiv Șnur pentru inel O

Culoarea negru

Temperatură min. -15 °C

Temperatură max. 200 °C

Material FPM 75 Shore



Articol

| Denumire | S (mm) | Toleranță |
|---------------|-----------|-------------|
| OR 178 FPM 75 | 1,78 | +/- 0.20 mm |
| OR 240 FPM 75 | 2,40 | +/- 0.20 mm |
| OR 250 FPM 75 | 2,50 | +/- 0.20 mm |
| OR 300 FPM 75 | 3,00 | +/- 0.25 mm |
| OR 400 FPM 75 | 4,00 | +/- 0.30 mm |
| OR 450 FPM 75 | 4,50 | +/- 0.30 mm |
| OR 500 FPM 75 | 5,00 | +/- 0.30 mm |
| OR 534 FPM 75 | 5,34 | +/- 0.30 mm |
| OR 570 FPM 75 | 5,70 | +/- 0.30 mm |
| OR 600 FPM 75 | 6,00 | +/- 0.30 mm |
| OR 700 FPM 75 | 7,00 | +/- 0.40 mm |
| OR 800 FPM 75 | 8,00 | +/- 0.40 mm |
| OR 900 FPM 75 | 9,00 | +/- 0.40 mm |