

TDO FPM

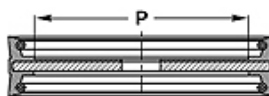
Piston complet TDOP FPM

HANSA FLEX

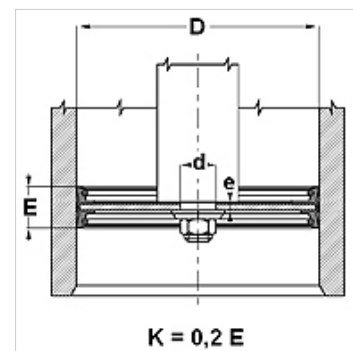
Caracteristici

Tip constructiv Piston complet

Utilizare Instalație hidraulică



| Toleranz / Tolerance | | |
|----------------------|----|------------|
| D | d | E |
| H11 | f8 | $\pm 0,50$ |



Articol

| Denumire | D (mm) | d (mm) | P (mm) | E (mm) | e (mm) |
|-------------|-----------|-----------|-----------|-----------|-----------|
| TDO 080 FPM | 80 | 12,2 | 54 | 30 | 5,0 |
| TDO 100 FPM | 100 | 12,2 | 72 | 35 | 6,0 |