

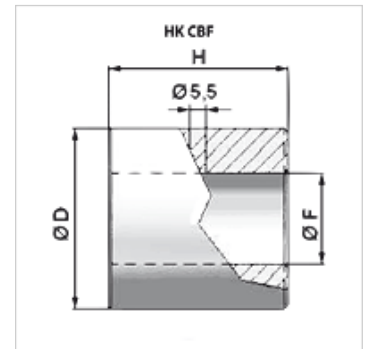
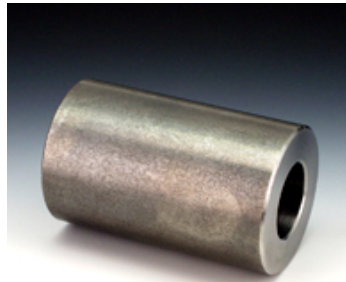
# HK CBF

Bucșă lagăr rotativ cu orificiu

**HANSA FLEX**

## Caracteristici

Material Oțel S355J0 (Fe510C)



## Articol

Denumire	Ø D (mm)	Ø F (mm)	H (mm)	Greutate (kg)
HK CBF 0035 065 060	65,0	35,50	60,0	1,10
HK CBF 0035 065 120	65,0	35,50	120,0	2,20
HK CBF 0050 085 080	85,0	50,50	80,0	2,30
HK CBF 0050 085 140	85,0	50,50	140,0	4,00
HK CBF 0060 100 090	100,0	60,50	90,0	3,50
HK CBF 0060 100 150	100,0	60,50	150,0	5,85