

FI HD E MP

Element filtrant pentru filtru de înaltă presiune MP

HANSA FLEX

Caracteristici

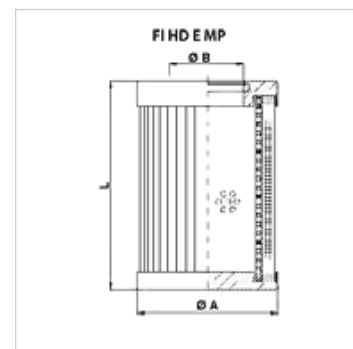
Caracteristici speciale Δp max. 20 bar

Temperatură min. -25 °C

Temperatură max. 120 °C

Material Garnitură: NBR

Presiune de lucru max. 210 bari



Articol

| Denumire | Finețe de filtrare (μm) | Suprafață filtru (cm ²) | Qmax (L/min) | Filter material | L (mm) | Ø A (mm) | Ø B (mm) | Greutate (kg) |
|---------------------|-------------------------|-------------------------------------|--------------|-----------------|--------|----------|----------|---------------|
| FI HD E MP 0078 A10 | 10,0 | 300 | 80 | anorganic | 76,5 | 52,0 | 24,0 | 0,21 |
| FI HD E MP 0086 A05 | 5,0 | 399 | 34 | anorganic | 86,0 | 45,0 | 25,4 | 0,20 |
| FI HD E MP 0086 A10 | 10,0 | 399 | 60 | anorganic | 86,0 | 45,0 | 25,4 | 0,20 |
| FI HD E MP 0114 A05 | 5,0 | 550 | 58 | anorganic | 114,0 | 45,0 | 25,4 | 0,30 |
| FI HD E MP 0114 A10 | 10,0 | 550 | 95 | anorganic | 114,0 | 45,0 | 25,4 | 0,30 |
| FI HD E MP 0210 A05 | 5,0 | 1069 | 100 | anorganic | 210,0 | 45,0 | 25,4 | 0,42 |
| FI HD E MP 0210 A10 | 10,0 | 1069 | 100 | anorganic | 210,0 | 45,0 | 25,4 | 0,42 |
| FI HD E MP 0234 A05 | 5,0 | 1672 | 200 | anorganic | 234,0 | 51,0 | 27,1 | 0,60 |
| FI HD E MP 0234 A10 | 10,0 | 1672 | 200 | anorganic | 234,0 | 51,0 | 27,1 | 0,60 |
| FI HD E MP 0236 A05 | 5,0 | 2943 | 350 | anorganic | 236,0 | 78,0 | 40,2 | 1,30 |
| FI HD E MP 0236 A10 | 10,0 | 2943 | 350 | anorganic | 236,0 | 78,0 | 40,2 | 1,30 |

Qmax - debit volumetric max.