

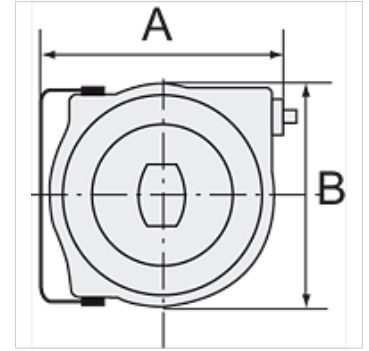
K-ELEKTRO-KABELAUFROLL POLY

Electrical cable reel (polypropylene) easy mounting on the wall or ceiling

HANSA FLEX

Caracteristici

Tip de cablu	HO5VV-F
Intensitatea curentului	Max. 10 A
Racord	SchuKo plug
pentru tensiune	230 V, 50 Hz
Putere absorbită	Max. 1000 W (fully wound), max. 2000 W (fully unwound)
Unghi de pivotare	180°



Indicație

Alte date sunt disponibile la cerere.

Descriere

High-quality, polypropylene housing. Includes a thermal circuit breaker. In case of overloading, a thermal overload protective circuit cuts off the electrical power supply automatically.

Articol

Denumire	A (mm)	B (mm)	Lungime (m)
K- 07 10 03 48	335,0	290,0	15