

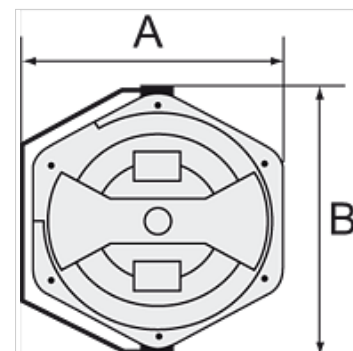
# K-ELEKTRO-KABELAUFRÖLL POM

Electrical cable reels (POM) easy mounting on the wall or ceiling

**HANSA FLEX**

## Caracteristici

Cablu	PVC 3 x 1.5 mm <sup>2</sup>
Intensitatea curentului	Max. 16 A
Racord	SchuKo plug
Putere absorbită	Max. 1000 W (fully wound), max. 3500 W (fully unwound)



## Indicație

Alte date sunt disponibile la cerere.

## Descriere

Closed, rugged, impact-resistant housing made of POM. Includes a thermal circuit breaker. In case of overloading, a thermal overload protective circuit cuts off the electrical power supply automatically.

## Articol

Denumire	A (mm)	B (mm)	Lungime (m)	Tensiune
K- 07 10 03 46	394,5	436,0	10	max. 230V
K- 07 10 03 47	394,5	436,0	17	max. 230V