

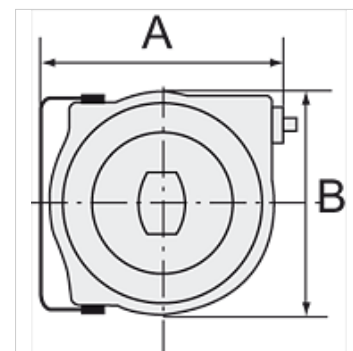
K-SCHL-AUFROLLER LU WA L

Hose reels for compressed air and water, lightweight type

HANSA FLEX

Caracteristici

Material furtun	PVC
Presiune de lucru	max. 12 bar (K-07100622); max. 20 bar (K-07100623)
Temperatura de lucru	max. +60 °C
Ștuț de intrare	G 1/4
Unghi de pivotare	180°



Indicație

Alte date sunt disponibile la cerere.

Descriere

High-quality, impact-resistant polypropylene housing. An automatic latching mechanism allows the hose to be engaged at any length. Enclosed spring. Precise locking device for continuous feeding or stop function. Reel guide prevents excessive wear on the hose.

Articol

Denumire	Dimensiune furtun	A (mm)	B (mm)	Lungime furtun (m)
K- 07 10 06 22	12 mm x 8 mm	340,0	311,0	8
K- 07 10 06 23	12 mm x 6 mm	445,0	400,0	15