

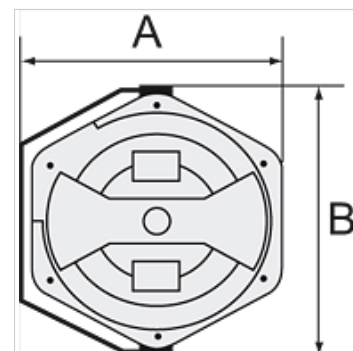
K-SCHL-AUFROLLER LUFT H

Hose reels for compressed air, high flow capacity

HANSA FLEX

Caracteristici

Material furtun	Braided polyurethane
Presiune de lucru	max. 12 bari
Temperatura de lucru	-20 °C to +60 °C
Unghi de pivotare	300°



Indicație

Alte date sunt disponibile la cerere.

Descriere

Specially designed to ensure a high flow capacity. Easy mounting on the wall or ceiling. Closed, rugged, impact-resistant housing made of POM, supply/outlet R 1/4 male thread and lightweight, hard-wearing, oil-resistant polyurethane hose. Incl. 2 m feeder hose.

Articol

Denumire	Dimensiune furtun	A (mm)	B (mm)	Lungime furtun (m)
K- 07 10 06 14	16 mm x 11 mm	394,5	436,0	10