

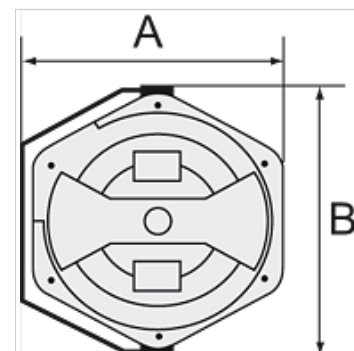
K-SCHL-AUFROLLER WASSER

Hose reels for water

HANSA FLEX

Caracteristici

Material furtun	Braided PVC
Presiune de lucru	Max. 9 bar
Temperatura de lucru	+5 °C to +60 °C
Unghi de pivotare	300°



Indicație

Alte date sunt disponibile la cerere.

Descriere

For easy mounting on the wall or ceiling. Closed, rugged, impact-resistant housing made of POM, supply/outlet R 1/4 male thread and lightweight, hard-wearing, braided PVC hose. Incl. 2 m feeder hose.

Articol

Denumire	Dimensiune furtun	A (mm)	B (mm)	Lungime furtun (m)
K- 07 10 06 17	13 mm x 9,5 mm	394,5	436,0	14