

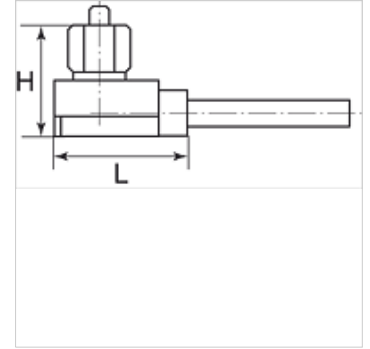
K-VAKUUMSENSOR ANALOG

Vacuum sensor, analogue

HANSA FLEX

Caracteristici

Utilizare	Measurement of vacuum values close to the suction pad Remote evaluation of the signals Processing the output signals, for example, by PLC
Medii	dry, oil-free air and non-aggressive gases
Domeniu de temperaturi	0 - 50 °C
Semnal de ieșire	1 to 5 analogous to V
Histerează	Fixed: 20 mbar (model with digital sensor)
Lungime cablu	3 m
Tip de protecție	IP 40



Indicație

Alte date sunt disponibile la cerere.

Descriere

Mini-sensor with housing and connection cable, analogue or digital output signal. Minimum size and low weight combined with high measuring accuracy.

Articol

Denumire	Racord	H (mm)	L (mm)	Domeniu de măsurare	Tensiune
K- 07 45 01 56	M 5 male	16,9	21,0	-1 bis 0 bar	10 - 24 V DC