

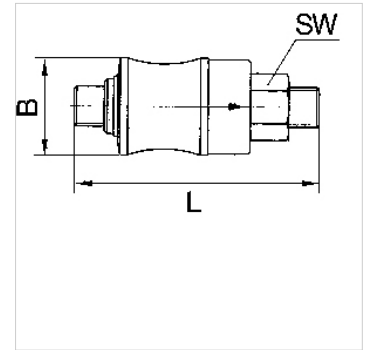
K-HAND-SCHIEBEVENTIL

Manual slide valves

HANSA FLEX

Caracteristici

Presiune de lucru	max. 10 bari
Temperatura de lucru	max. +70 °C



Indicație

Alte date sunt disponibile la cerere.

Descriere

For use on devices that have to be vented whenever they are turned off, either because of safety regulations or for technical reasons. The pneumatic devices are disconnected from the system and simultaneously vented each time they are shut off.

Articol

Denumire	Filet	B (mm)	L (mm)	SW (mm)
K- 07 30 15 92	G 1/8	21,0	67,0	14
K- 07 30 15 93	G 1/4	24,0	77,0	17
K- 07 30 15 94	G 3/8	31,0	87,0	22
K- 07 30 15 95	G 1/2	35,0	104,0	26