

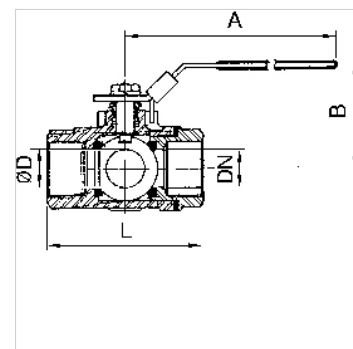
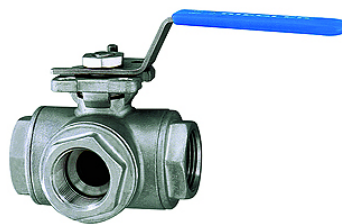
K-3 BKR T VA

3-way ball valves, T-bore

HANSA FLEX

Caracteristici

Presiune de lucru	max. 63 bar
Temperatura de lucru	max. 160 °C
Gaură	Formă de T
Valori orientative	Up to 40 °C: 63 bar, 150 °C: 28 bar
Garnitură de etanșare	RTFE
Manetă	Stainless steel
Ventil cu bilă	Stainless steel 1.4408



Indicație

G thread acc. to DIN EN ISO 228-1, with ISO flange plate (acc. to ISO 5211)
Alte date sunt disponibile la cerere.

Descriere

With T-bore, reduced bore. Version for sealing on all sides with integrated ISO flange plate (ISO 5211). The lever can be turned 360° to allow several switching variants.

Indicații referitoare comandă

For use on devices that have to be vented whenever they are turned off, either because of safety regulations or for technical reasons. The pneumatic devices are disconnected from the system and simultaneously vented each time they are shut off.

Articol

Denumire	DN	Filet	A (mm)	B (mm)	L (mm)	Ø D (mm)
K- 07 30 15 10	15	G 1/2	114,0	73,0	80,0	12,5
K- 07 30 15 11	20	G 3/4	133,0	78,0	87,0	16,0
K- 07 30 15 12	25	G 1	133,0	83,0	100,0	20,0
K- 07 30 15 13	32	G 1 1/4	187,0	92,0	123,0	25,0
K- 07 30 15 14	40	G 1 1/2	187,0	98,0	142,0	31,8
K- 07 30 15 15	50	G 2	187,0	126,0	170,0	38,1