

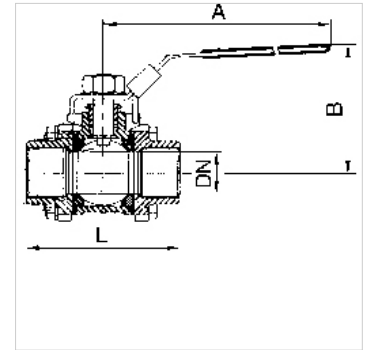
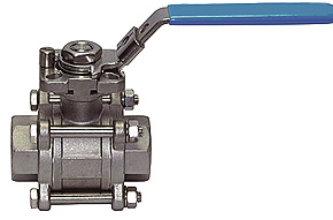
K-BKR GEWINDEAUSLAUF VA

Ball valves

HANSA FLEX

Caracteristici

Presiune de lucru	max. 70 bar (depending on temperature and nominal size)
1.1/4" to 1.1/2"	20 °C: 70 bar, 60 °C: 55 bar, 100 °C: 35 bar, 150 °C: 6 bar, 180 °C: 4 bar, 200 °C: 0 bar
1/4" bis 1"	20 °C: 70 bar, 60 °C: 65 bar, 100 °C: 45 bar, 150 °C: 7 bar, 180 °C: 4 bar, 200 °C: 0 bar
2"	20 °C: 60 bar, 60 °C: 40 bar, 100 °C: 30 bar, 150 °C: 5 bar, 180 °C: 4 bar, 200 °C: 0 bar
Temperatura de lucru	200 °C at 0 bar
Garnitură de etanșare	15 % RPTFE (glass fibre reinforced PTFE)
Manetă	Stainless steel 1.4301



Indicație

G thread acc. to DIN EN ISO 228-1, with ISO flange plate (acc. to ISO 5211)
Alte date sunt disponibile la cerere.

Indicații referitoare comandă

For use on devices that have to be vented whenever they are turned off, either because of safety regulations or for technical reasons. The pneumatic devices are disconnected from the system and simultaneously vented each time they are shut off.

Informații suplimentare

G thread acc. to DIN EN ISO 228-1, with ISO flange plate (acc. to ISO 5211)

Articol

Denumire	DN	Filet	A (mm)	B (mm)	L (mm)	Material
K- 07 30 14 86	8	G 1/4	123,0	74,0	63,0	Stainless steel 1.4401/1.4408
K- 07 30 14 87	10	G 3/8	123,0	74,0	63,0	Stainless steel 1.4401/1.4408
K- 07 30 14 88	15	G 1/2	123,0	74,0	63,0	Stainless steel 1.4401/1.4408
K- 07 30 14 89	20	G 3/4	123,0	78,0	73,0	Stainless steel 1.4401/1.4408
K- 07 30 14 90	25	G 1	153,0	89,0	85,0	Stainless steel 1.4401/1.4408
K- 07 30 14 91	32	G 1 1/4	153,0	94,0	96,0	Stainless steel 1.4401/1.4408
K- 07 30 14 92	40	G 1 1/2	183,0	110,0	114,0	Stainless steel 1.4401/1.4408
K- 07 30 14 93	50	G 2	183,0	118,0	134,0	Stainless steel 1.4401/1.4408