

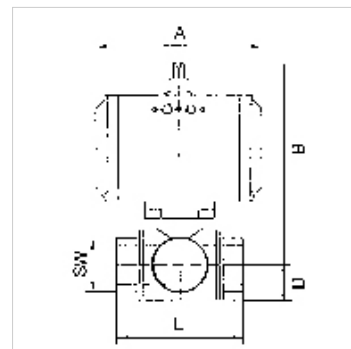
# K-BKR STAN EIN FED VA

Stainless steel ball valves, single-acting actuator - spring to close

**HANSA FLEX**

## Caracteristici

Tip constructiv	Pneumatic actuators, in double- or single acting version, with integrated end-position feedback
Presiune de lucru	max. 63 bar (depending on temperature and nominal size)
Temperatura de lucru	-20 °C to +70 °C
Unghi de rotație	90 °
Interfețe standardizate	Interface actuator / valve: four or eight threaded holes in the drive housing according to EN ISO 5211, Interface actuator / S
Presiune de comandă	5.5 bar
Adaptor supapă	Acc. to NAMUR
Antrenare	aluminium eloxed
Garnitură de antrenare	NBR
Ventil cu bilă	Stainless steel 1.4401, with ISO-flange plate
Garnitură de etanșare a ventilului cu bilă	PTFE



## Indicație

Alte date sunt disponibile la cerere.

## Descriere

2-way cock, 3-piece, full bore

## Articol

Denumire	DN	Filet	A (mm)	B (mm)	D (mm)	L (mm)	SW (mm)
K- 07 30 02 59	15	Rp 1/2	133,0	144,0	24,0	75,0	29
K- 07 30 02 60	15	Rp 1/2	116,0	135,0	24,0	75,0	29
K- 07 30 02 61	20	Rp 3/4	133,0	148,0	27,0	80,0	35
K- 07 30 02 62	25	Rp 1	137,0	170,0	33,0	90,0	41
K- 07 30 02 63	32	Rp 1 1/4	161,0	188,0	37,0	110,0	50
K- 07 30 02 64	40	Rp 1 1/2	180,0	198,0	40,0	120,0	58
K- 07 30 02 65	50	Rp 2	209,0	224,0	50,0	140,0	74
K- 07 30 02 66	65	Rp 2 1/2	221,0	268,0	60,0	185,0	85
K- 07 30 02 67	80	Rp 3	221,0	280,0	67,0	205,0	100