

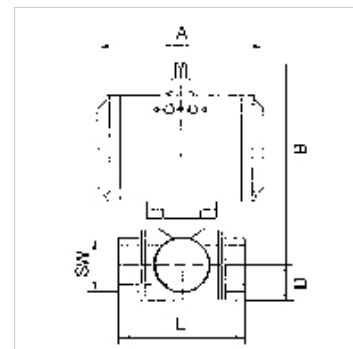
K-3 BKR L EINFACHWIRKEND

Stainless steel ball valves, 3-way, with single-acting actuator, L-bore

HANSA FLEX

Caracteristici

Tip constructiv	Pneumatic actuators, in double- or single acting version, with integrated end-position feedback
Gaură	Formă de L
Presiune de lucru	max. 63 bar (depending on temperature and nominal size)
Temperatura de lucru	-20 °C to +70 °C
Unghi de rotație	90 °
Interfețe standardizate	Interface actuator / valve: four or eight threaded holes in the drive housing according to EN ISO 5211, Interface actuator / S
Presiune de comandă	5.5 bar
Adaptor supapă	Acc. to NAMUR
Antrenare	aluminium eloxed
Garnitură de antrenare	NBR
Ventil cu bilă	Stainless steel 1.4401, with ISO-flange plate
Garnitură de etanșare a ventilului cu bilă	PTFE/FKM



Indicație

G thread acc. to DIN EN ISO 228-1, with ISO flange plate (acc. to ISO 5211)

Alte date sunt disponibile la cerere.

Descriere

3-way cock, reduced bore

Informații suplimentare

Other T-positions on request

Articol

Denumire	DN	Filet	Poziție	A (mm)	B (mm)	D (mm)	L (mm)	SW (mm)
K- 07 30 03 11	15	Rp 1/2	L 1	133,0	139,0	20,0	73,0	27
K- 07 30 03 12	20	Rp 3/4	L 1	137,0	159,0	23,0	80,0	32
K- 07 30 03 13	25	Rp 1	L 1	161,0	174,5	28,5	90,0	41
K- 07 30 03 14	32	Rp 1 1/4	L 1	161,0	179,5	36,5	90,0	50
K- 07 30 03 15	40	Rp 1 1/2	L 1	180,0	185,0	37,0	105,0	55
K- 07 30 03 16	50	Rp 2	L 1	209,0	213,5	47,5	115,0	71