

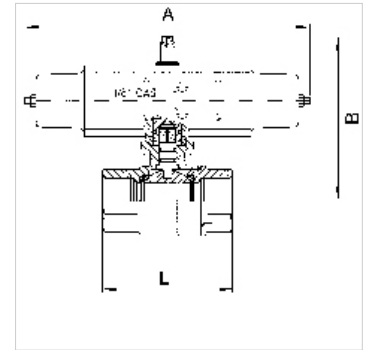
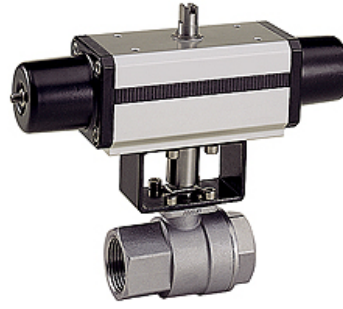
K-BKR EI FED VA

Stainless steel ball valves, single-acting actuator, spring to close

HANSA FLEX

Caracteristici

Tip constructiv	Pneumatic, double-piston, part-turn actuator, double-rocker principle
Presiune de lucru	max. 160 bar (G 3/8, G 1/2); max. 100 bar (G 3/4, G 1); max. 60 bar (G 1 1/4, G 1 1/2); max. 40 bar (G 2)
Temperatura de lucru	-20 °C to +150 °C
Unghi de rotație	90 °
Presiune de comandă	5.6 bar
Adaptor supapă	Supplied as standard
Domeniu de temperaturi	-20 °C to +80 °C
Antrenare	aluminium eloxed
Garnitură de antrenare	NBR
Ventil cu bilă	Stainless steel 1.4401/1.4301/1.4310/1.4408, with ISO-flange plate
Garnitură de etanșare a ventilului cu bilă	PTFE/FKM



Indicație

Alte date sunt disponibile la cerere.

Articol

Denumire	DN	Filet	A (mm)	B (mm)	L (mm)
K- 07 30 02 68	10	Rp 3/8	221,0	142,0	51,0
K- 07 30 02 69	15	Rp 1/2	221,0	147,0	61,0
K- 07 30 02 70	20	Rp 3/4	240,0	163,0	70,0
K- 07 30 02 71	25	Rp 1	240,0	167,0	85,0
K- 07 30 02 72	32	Rp 1 1/4	294,0	183,0	95,0
K- 07 30 02 73	40	Rp 1 1/2	320,0	207,0	105,0
K- 07 30 02 74	50	Rp 2	357,0	234,0	125,0