

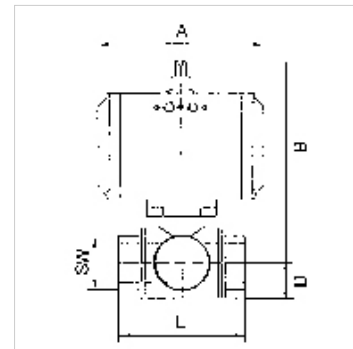
K-3 BKR STELLANTR E T MS

Brass ball valves, 3-way, with double-acting actuator, T-bore, normal position

HANSA FLEX

Caracteristici

Tip constructiv	Pneumatic actuators, in double- or single acting version, with integrated end-position feedback
Gaură	Formă de T
Temperatura de lucru	-20 °C to +70 °C
Unghi de rotație	90 °
Presiune de comandă	5.5 bar
Adaptor supapă	Supplied as standard
Antrenare	aluminium eloxed
Garnitură de antrenare	NBR
Ventil cu bilă	Chrome-plated brass, with ISO-flange plate
Garnitură de etanșare a ventilului cu bilă	PTFE/FKM



Indicație

G thread acc. to DIN EN ISO 228-1, with ISO flange plate (acc. to ISO 5211)

Alte date sunt disponibile la cerere.

Descriere

3-way cock, T-bore, full bore

Informații suplimentare

Other T-positions on request

Articol

Denumire	DN	Filet	Poziție	PN (bar)	A (mm)	B (mm)	D (mm)	L (mm)	SW (mm)
K- 07 30 03 17	15	Rp 1/2	T 3	40	133,0	142,0	20,0	64,5	25
K- 07 30 03 18	20	Rp 3/4	T 3	40	133,0	146,0	24,0	76,0	31
K- 07 30 03 19	25	Rp 1	T 3	40	133,0	150,5	30,0	97,0	41
K- 07 30 03 20	32	Rp 1 1/4	T 3	40	161,0	191,5	37,0	118,0	55
K- 07 30 03 21	40	Rp 1 1/2	T 3	25	180,0	193,5	43,0	133,0	55
K- 07 30 03 22	50	Rp 2	T 3	25	209,0	221,0	56,0	157,0	67