

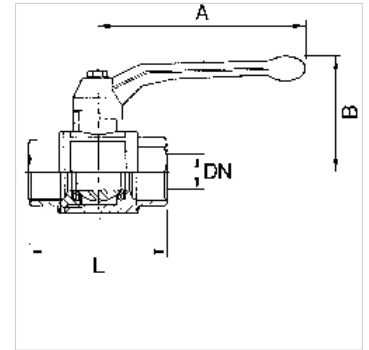
K-BKR IG AG

Brass ball valves, female/male thread

HANSA FLEX

Caracteristici

Presiune de lucru	Max. 25 bar
Presiune de lucru	Max. 28 bar
Temperatura de lucru	-20 oC to +100 oC
Descriere filet	G thread acc. DIN EN ISO 228-1
Carcasă	Nickel-plated brass
Manetă	Steel Q235-A (1.0038) with blue PVC coating
Rulment	Nickel-plated brass
Etanșare bilă	PTFE
Etanșare ax	NBR



Indicație

Alte date sunt disponibile la cerere.

Articol

Denumire	DN	Filet	A (mm)	B (mm)	L (mm)
K- 07 30 21 53	8	1/4	75,0	38,0	50,0
K- 07 30 21 54	10	3/8	75,0	37,0	47,0
K- 07 30 21 55	15	1/2	98,0	45,0	59,0
K- 07 30 21 56	19	3/4	98,0	49,0	65,0
K- 07 30 21 57	25	1	118,0	55,0	74,0
K- 07 30 21 58	31	1 1/4	118,0	58,0	83,0
K- 07 30 21 59	37	1 1/2	138,0	71,0	95,0
K- 07 30 21 60	45	2	160,0	85,0	111,0