

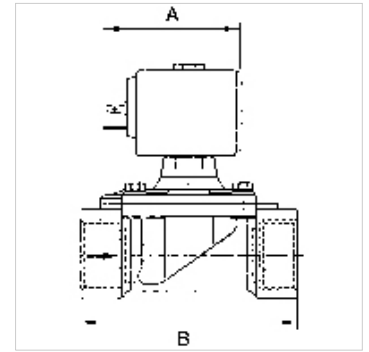
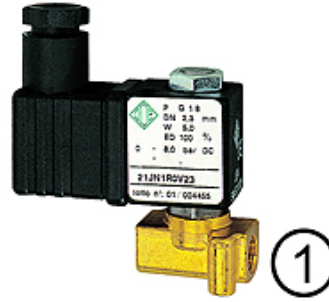
# K-MV G D 230 V, 50 - 60 HZ 1

Normally closed, directly operated, 230 V, 50 to 60 Hz

**HANSA FLEX**

## Caracteristici

Conexiune electrică	For connector socket Pg 9/Pg 11, acc. to ISO 4400
Tip de protecție	IP65 (with connector socket fitted)
Temperatură mediu	-10 °C to +90 °C (NBR); -10 °C bis +140 °C (FKM)
Carcasă, scaun al supapei	Brass
Piese interioare	Stainless steel
Garnitură de etanșare	Perbunan (NBR) or FKM



## Indicație

Alte date sunt disponibile la cerere.

## Descriere

Economy series available in three different versions: Directly operated, Combined operation, Pilot-operated. For all applications with compressed air, neutral gases or low-viscosity, neutral media.

## Articol

Denumire	Filet	presiune max. de lucru (bar)	NW	Material de etanșare	A (mm)	B (mm)	Forma constructivă
K- 07 30 22 39	G 1/8	18	2,3	FKM	41,0	30,0	1
K- 07 30 22 40	G 1/8	6	2,3	FKM	41,0	30,0	1
K- 07 30 22 41	G 1/8	14	2,5	FKM	54,0	40,0	2
K- 07 30 22 42	G 1/8	10	3,0	FKM	54,0	40,0	2
K- 07 30 22 43	G 1/4	14	2,5	FKM	54,0	40,0	2
K- 07 30 22 44	G 1/4	10	3,0	FKM	54,0	40,0	2
K- 07 30 22 45	G 1/4	5	4,5	FKM	54,0	40,0	2