

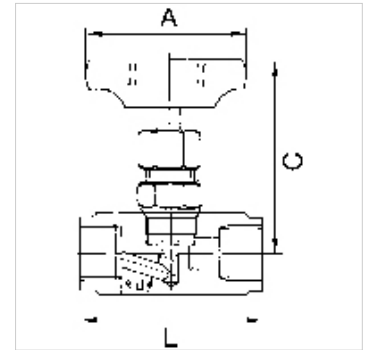
K-NADELVENTILE VA

Needle valves

HANSA FLEX

Caracteristici

Presiune de lucru	max. 400 bar (at 20 °C); max. 250 bar (at G 1 - 20 °C)
Temperatura de lucru	-20 °C to +120 °C
Material de etanșare	PTFE
Carcasă	Stainless steel 1.4571
Rotiță de reglare	Plastic
Material	sealing: PTFE



Indicație

G thread acc. to DIN EN ISO 228-1, with ISO flange plate (acc. to ISO 5211)

Alte date sunt disponibile la cerere.

Indicații referitoare comandă

For use on devices that have to be vented whenever they are turned off, either because of safety regulations or for technical reasons. The pneumatic devices are disconnected from the system and simultaneously vented each time they are shut off.

Informații suplimentare

Port sizes G 1 1/4, G 1 1/2 and G 2 available on request

Articol

Denumire	DN	Filet	A (mm)	C (mm)	L (mm)
K- 07 30 24 03	4	G 1/8	50,0	74,0	50,0
K- 07 30 24 04	5	G 1/4	50,0	73,0	50,0
K- 07 30 24 05	6	G 3/8	50,0	72,0	55,0
K- 07 30 24 06	8	G 1/2	63,0	83,0	60,0
K- 07 30 24 07	10	G 3/4	63,0	100,0	75,0
K- 07 30 24 08	12	G 1	80,0	110,0	100,0