

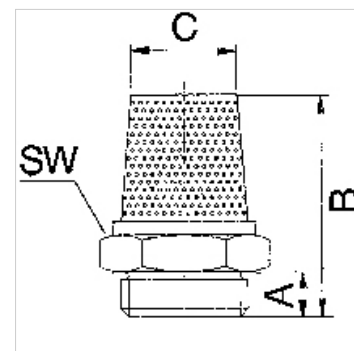
K-SCHALLDAE SINTERBR S

Silencers, sintered bronze, slotted

HANSA FLEX

Caracteristici

Presiune de lucru	max. 10 bari
Temperatura de lucru	-10 °C to +250 °C
Standard	G thread acc. to DIN EN ISO 228-1



Indicație

Alte date sunt disponibile la cerere.

Descriere

For reducing the exhaust noise generated by pneumatic equipment.

Articol

Denumire	Filet	A (mm)	B (mm)	C (mm)
K- 07 40 35 03	G 1/8	6,5	12,5	9,5
K- 07 40 35 04	G 1/4	6,5	13,5	12,6
K- 07 40 35 05	G 3/8	7,5	16,0	16,2
K- 07 40 35 06	G 1/2	10,0	19,6	20,5
K- 07 40 46 86	G 3/4	11,0	23,0	26,0
K- 07 40 46 87	G 1	13,0	24,0	33,0