

K-SCHALLDAEMPFER EINSTELLBAR

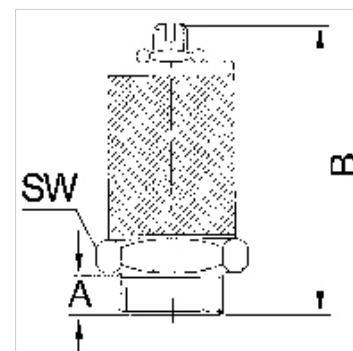
Sintered bronze silencers

HANSA FLEX

Caracteristici

Presiune de lucru max. 10 bari

Temperatura de lucru -10 °C to +250 °C



Indicație

Alte date sunt disponibile la cerere.

Descriere

The volume of exhaust air can be set by means of an adjusting screw with a lock nut.

Articol

Denumire	Filet	A (mm)	B	Deschiderea cheii fixe
K- 07 40 34 59	M 5	4,0	21,0 - 28,0 mm	8 mm
K- 07 40 34 60	R 1/8	8,0	38,0 - 48,0 mm	16 mm
K- 07 40 34 61	R 1/4	9,5	39,5 - 49,5 mm	16 mm
K- 07 40 34 62	R 3/8	10,5	47,5 - 60,5 mm	22 mm
K- 07 40 34 63	R 1/2	12,0	49,0 - 62,0 mm	22 mm
K- 07 40 46 84	R 3/4	12,0	75,4 - 90,0 mm	30 mm
K- 07 40 46 85	R 1	14,5	75,9 - 90,5 mm	36 mm