

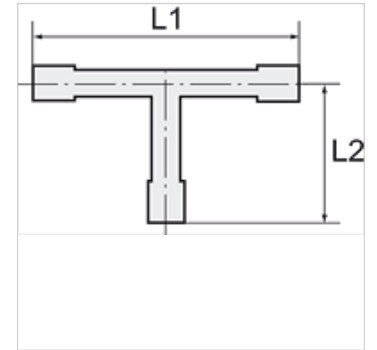
# K-T-SCHLAUCH VB STUTZEN POM

Tee hose connectors, POM

**HANSA FLEX**

## Caracteristici

Domeniu de temperaturi -40 °C to +90 °C



## Indicație

Alte date sunt disponibile la cerere.

## Descriere

Lightweight tube connectors distinguished by high strength, toughness, resistance to abrasion and impact resistance. Resistant to: Acetone, benzene, benzene, butane, alcohols, diesel fuels, crude oil, natural gas, ethanol, fruit juices, glycerine, fuel oil, hydraulic fluids, aliphatic ketones, carbon dioxide, carbonic acid, engine oils, methanol, propane, liquefied gas, lubricating oils, lubricating greases, town gas, washing liquor and water.

## Articol

| Denumire       | pentru furtun | L1<br>(mm) | L2<br>(mm) | Suprapresiune max. admisă<br>(bar) |
|----------------|---------------|------------|------------|------------------------------------|
| K- 07 40 17 28 | LW 3 mm       | 25,0       | 12,5       | 10                                 |
| K- 07 40 17 29 | LW 4 mm       | 35,0       | 19,5       | 10                                 |
| K- 07 40 17 30 | LW 5 mm       | 42,0       | 22,0       | 10                                 |
| K- 07 40 17 31 | LW 6 mm       | 50,0       | 26,0       | 10                                 |
| K- 07 40 17 32 | LW 8 mm       | 58,0       | 30,0       | 10                                 |
| K- 07 40 17 33 | LW 10 mm      | 62,5       | 33,5       | 10                                 |
| K- 07 40 17 34 | LW 12 mm      | 69,0       | 36,0       | 10                                 |
| K- 07 40 17 35 | LW 13 mm      | 69,0       | 36,0       | 10                                 |
| K- 07 40 17 36 | LW 16 mm      | 81,0       | 45,0       | 10                                 |
| K- 07 40 17 37 | LW 19 mm      | 85,0       | 45,0       | 10                                 |
| K- 07 40 46 58 | LW 25 mm      | 105,0      | 52,5       | 10                                 |