

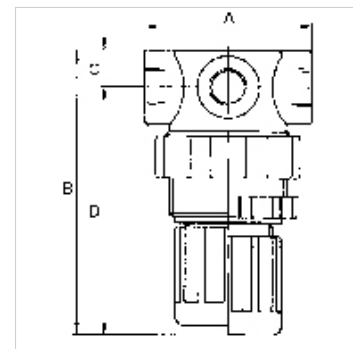
K-DBV MANO 1/4"

Pressure limiting valves size 1/4

HANSA FLEX

Caracteristici

Tip constructiv	Spring-loaded, non-return diaphragm valve with adjustable opening pressure
Temperatură mediu	max. 60 °C
Temperatură ambientală	Max. 60 °C
Material de etanșare	NBR
Apărătoare de arc	POM/brass
Carcasă	Die-cast zinc, painted silver
Membrană	NBR



Indicație

Alte date sunt disponibile la cerere.

Descriere

Manually adjustable overflow valves. For protecting pneumatic systems against damage caused by excess pressure.

Articol

Denumire	Filet	Domeniu de reglare	A (mm)	B	C (mm)	D (mm)
K- 07 25 01 93	G 1/4	0.1 - 2.0 bar	43,0	70,0 mm	10,0	60,0
K- 07 25 01 94	G 1/4	0.1 - 3.0 bar	43,0	70,0 mm	10,0	60,0
K- 07 25 01 95	G 1/4	0.15 - 7.0 bar	43,0	70,0 mm	10,0	60,0
K- 07 25 01 96	G 1/4	0.5 - 10.0 bar	43,0	70,0 mm	10,0	60,0

Piese de schimb

K-HALTERBAUSATZ	Holder
K-SCHALTAFELMUTTER	Nut
K-VERSCHLEI-SATZ	Set of wearing parts
K-SCHALLDAE SINTERBR AG 569	Silencers, sintered bronze, flat type with male thread, 569 Series
K-GERAETESTECKER	Coupling socket