

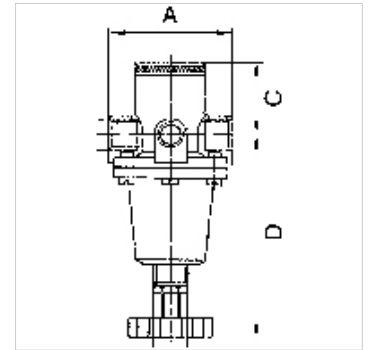
K-DRG MEMBRAN O SEKUNDAERL MANO M^S

Pressure regulators for Water with pressure gauge

HANSA FLEX

Caracteristici

| | |
|-----------------------------|--|
| Presiune de intrare | Max. 40 bar |
| Domeniu de temperaturi | +5 °C to +90 °C |
| Material de etanșare | NBR |
| Carcasă | Brass |
| Rotiță de reglare | Plastic (G 1/4, G 1/2), rotary switch (G 3/4, G 1) |
| Membrană | NBR |
| Măsurarea valorii debitului | At P1 = 7 bar, P2 = 6 bar and $\Delta p = 1$ bar |



Indicație

Alte date sunt disponibile la cerere.

Descriere

Brass diaphragm pressure regulators with non-self-relieving design, specially for use with water. The regulator protects water installations against high system pressure, prevents pressure fluctuations and helps reduce water consumption. Undesirable flow noises are kept to a minimum.

Articol

| Denumire | Filet | Domeniu de reglare | Debit (L/min) | A (mm) | B | C (mm) | D (mm) |
|----------------|---------|--------------------|---------------|--------|----------|--------|--------|
| K- 07 25 04 78 | G 1/4 | 0.5 - 6 bar | 3 | 45,0 | 104,0 mm | 23,0 | 81,0 |
| K- 07 25 04 79 | G 1/4 | 0.5 - 10 bar | 3 | 45,0 | 104,0 mm | 23,0 | 81,0 |
| K- 07 25 04 80 | G 1/2 | 0.5 - 6 bar | 15 | 72,0 | 153,0 mm | 30,0 | 123,0 |
| K- 07 25 04 81 | G 1/2 | 0.5 - 10 bar | 15 | 72,0 | 153,0 mm | 30,0 | 123,0 |
| K- 07 25 04 82 | G 1 | 0.5 - 6 bar | 24 | 114,0 | 216,0 mm | 41,0 | 175,0 |
| K- 07 25 04 83 | G 1 | 0.5 - 10 bar | 24 | 114,0 | 216,0 mm | 41,0 | 175,0 |
| K- 07 25 04 84 | G 1 1/2 | 0.5 - 6 bar | 56 | 114,0 | 233,0 mm | 50,0 | 183,0 |
| K- 07 25 04 85 | G 1 1/2 | 0.5 - 10 bar | 56 | 114,0 | 233,0 mm | 50,0 | 183,0 |

Piese de schimb

| | |
|-----------------------|--------------------------------------|
| K-HALTERBAUSATZ | Holder |
| K-MEMBRANE DICHTKEGEL | Sealing cone, complete |
| K-RD NIPPEL KURZ 1 | Reducing nipples, short type |
| K-XV AGM 2 | Double nipples, parallel male thread |