

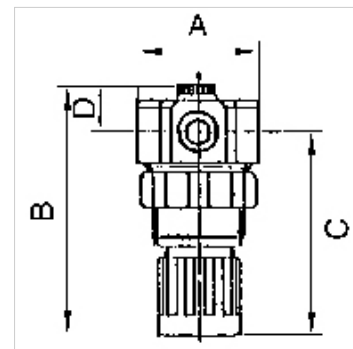
K-DRG MEMBRAN O SEKUNDAERENTL MANO

Pressure regulators with pressure gauge

HANSA FLEX

Caracteristici

Presiune de intrare	Max. 25 bar
Temperatură mediu	max. 50 °C
Temperatură ambientală	Max. 50 °C
Debit	3.5 l/min
Material de etanșare	NBR
Apărătoare de arc	POM
Carcasă	Brass
Membrană	NBR
Măsurarea valorii debitului	At P1 = 7 bar, P2 = 5 bar (water) and pressure drop $\Delta p \leq 1$ bar



Indicație

Alte date sunt disponibile la cerere.

Descriere

Diaphragm pressure regulators with non-self relieving design for water, compressed air and non-aggressive gases.

Articol

Denumire	Filet	Domeniu de reglare	A (mm)	B	C (mm)	D (mm)
K- 07 25 04 75	G 1/4	0.1 - 3 bar	40,0	78,0 mm	63,0	15,0
K- 07 25 04 76	G 1/4	0.2 - 6 bar	40,0	78,0 mm	63,0	15,0
K- 07 25 04 77	G 1/4	0.5 - 10 bar	40,0	78,0 mm	63,0	15,0

Piese de schimb

K-HALTERBAUSATZ	Holder
K-SCHALTTAFELMÜTTER	Nut
K-VERSCHLEI-SATZ	Set of wearing parts