

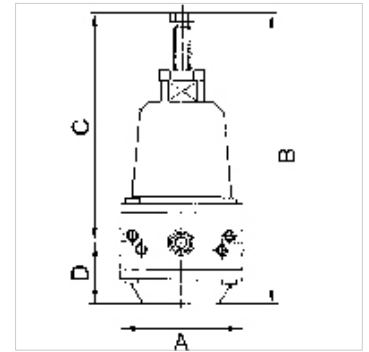
K-PRAEZI DRUCKREGLER MEM

Precision pressure regulators

HANSA FLEX

Caracteristici

Presiune de intrare	Max. 16 bar
Temperatură mediu	max. 60 °C
Temperatură ambientală	Max. 60 °C
Medii	Micro-filtered, unoiled compressed air (0.01 µm)
Racord manometru	G 1/4
Material de etanşare	NBR
Carcasă	Die-cast zinc
Consum de aer propriu	0.01 l/min, depending on input pressure and control range



Indicație

The given flow rates are based on the following parameters: 750 l/min: P1: 8 bar, P2: 2 bar, $\Delta p \leq 0.2$ bar

750 l/min: P1: 8 bar, P2: 3 bar, $\Delta p \leq 0.5$ bar

750 l/min: P1: 8 bar, P2: 5 bar, $\Delta p \leq 0.7$ bar

Alte date sunt disponibile la cerere.

Descriere

Diaphragm pressure regulators containing no non-ferrous metals, with self-relieving design for applications requiring an precise working pressure.

Informații suplimentare

1500 l/min: P1: 10 bar, P2: 7 bar, $\Delta p \leq 0.1$ bar.

Articol

Denumire	Filet	Domeniu de reglare	Debit (L/min)	A (mm)	B (mm)	C (mm)	D (mm)
K- 07 25 09 36	G 1/4	0.1 - 2 bar	750	60,0	152,0 mm	120,0	32,0
K- 07 25 09 37	G 1/4	0.1 - 3 bar	750	60,0	152,0 mm	120,0	32,0
K- 07 25 09 38	G 1/4	0.2 - 5 bar	750	60,0	152,0 mm	120,0	32,0

Piese de schimb

K-HALTERBAUSATZ STANDARD	Holder
K-VERSCHLEI-SATZ	Set of wearing parts
K-FILTERELEMENT	Filter element
K-XV AGM 2	Double nipples, parallel male thread