

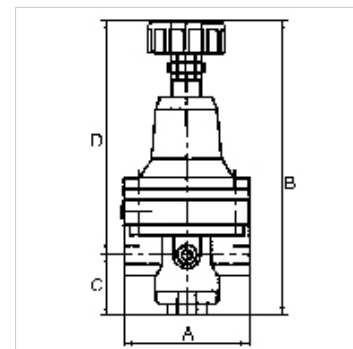
# K-PRAEZI DRUCKREGLER SELU

Precision pressure regulators

**HANSA FLEX**

## Caracteristici

Presiune de intrare	Max. 16 bar
Temperatură mediu	max. 60 °C
Temperatură ambientală	Max. 60 °C
Medii	Micro-filtered, unoiled compressed air (0.01 µm)
Racord manometru	G 1/4
Racord de dezaerare	G 3/8 (for mounting a silencer)
Material de etanşare	NBR
Carcasă	Die-cast zinc
Consum de aer propriu	1.5 - 6 l/min, depending on input pressure and control range



## Indicație

The given flow rates are based on the following parameters: 1200 l/min: P1: 5 bar, P2: 3 bar,  $\Delta p \leq 0.1$  bar

1400 l/min: P1: 7 bar, P2: 5 bar,  $\Delta p \leq 0.1$  bar

1500 l/min: P1: 10 bar, P2: 7 bar,  $\Delta p \leq 0.1$  bar. Wear parts kit not supplied! Pressure regulator may only be opened in the factory!

Alte date sunt disponibile la cerere.

## Descriere

With high flow rate and large secondary relief port. Diaphragm pressure regulators with large secondary relief port for applications requiring an extremely accurate working pressure, especially at high flow rates.

## Informații suplimentare

on Art. K-07250721: Max. inlet pressure 300 bar. Other cylinder pressure regulators available on request.

1500 l/min: P1: 10 bar, P2: 7 bar,  $\Delta p \leq 0.1$  bar.

## Articol

Denumire	Filet	Domeniu de reglare	Debit (L/min)	A (mm)	C (mm)	D (mm)
K- 07 25 09 28	G 1/4	0.05 - 3 bar	700	82,0	43,5	159,0
K- 07 25 09 29	G 1/4	0.05 - 7 bar	1500	82,0	43,5	159,0
K- 07 25 09 30	G 3/8	0.05 - 3 bar	3000	82,0	43,5	159,0
K- 07 25 09 31	G 3/8	0.05 - 7 bar	5500	82,0	43,5	159,0
K- 07 25 09 32	G 1/2	0.05 - 3 bar	3000	82,0	43,5	159,0
K- 07 25 09 33	G 1/2	0.05 - 5 bar	4500	82,0	43,5	159,0
K- 07 25 09 34	G 1/2	0.05 - 7 bar	5500	82,0	43,5	159,0

## Piese de schimb

K-HALTERBAUSATZ STANDARD	Holder
K-KM MS	Hexagonal lock nuts, brass
K-SCHALLDAEPFER VYON	Vyon silencers
K-FILTERELEMENT	Filter element
K-XV AGM 2	Double nipples, parallel male thread