

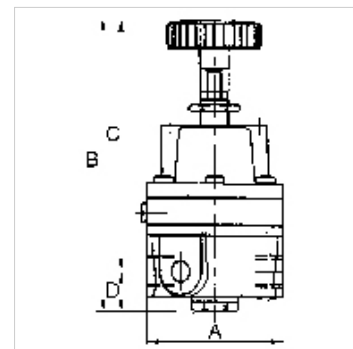
K-PRAEZI DRUCKREGL MEM SELU

Precision pressure regulators

HANSA FLEX

Caracteristici

Presiune de intrare	Max. 16 bar
Temperatură mediu	max. 60 °C
Temperatură ambientală	Max. 60 °C
Medii	Micro-filtered, unoiled compressed air (0.01 µm)
Racord manometru	G 1/8
Material de etanşare	NBR
Carcasă	Die-cast zinc
Consum de aer propriu	2.2 - 4.5 l/min, depending on input pressure and control range



Indicație

The given flow rates are based on the following parameters: 450 l/min: P1: 5 bar, P2: 2 bar, $\Delta p \leq 0.1$ bar

570 l/min: P1: 7 bar, P2: 4 bar, $\Delta p \leq 0.1$ bar

Attention! Wear parts kit not supplied! Pressure regulator may only be opened in the factory! 850 l/min: P1: 10 bar, P2: 7 bar, $\Delta p \leq 0.1$ bar.

Alte date sunt disponibile la cerere.

Descriere

Diaphragm pressure regulators with self-relieving design for applications requiring an extremely accurate working pressure.

Informații suplimentare

1500 l/min: P1: 10 bar, P2: 7 bar, $\Delta p \leq 0.1$ bar.

Articol

Denumire	Filet	Domeniu de reglare	Debit (L/min)	A (mm)	B	C (mm)	D (mm)
K- 07 25 09 43	G 1/4	0.05 - 2 bar	450	58,0	124,0 mm	107,0	17,0
K- 07 25 09 44	G 1/4	0.05 - 4 bar	570	58,0	124,0 mm	107,0	17,0
K- 07 25 09 45	G 1/4	0.05 - 7 bar	850	58,0	124,0 mm	107,0	17,0

Piese de schimb

K-HALTERBAUSATZ	Holder
K-FILTERELEMENT	Filter element
K-MANO NIPPEL	Nipples for pressure gauges
K-XV AGM 2	Double nipples, parallel male thread