

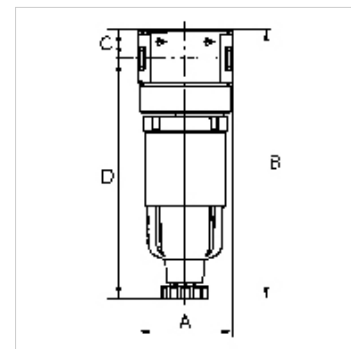
K-FI MIKRO PC-BEHAEL MULTIFIX MINI

Micro-filters with polycarbonate bowl

HANSA FLEX

Caracteristici

Presiune de intrare	Max. 16 bar
Temperatură mediu	max. 60 °C
Temperatură ambientală	Max. 60 °C
Finețea filtrului	0,01 μm
Randament	99.999 %
Material de etanșare	NBR
Cartuș de filtru	Borosilicate-POM
Carcasă	Die-cast zinc
Drain valve	Semi-automatic
Măsurarea valorii debitului	FM at P1 = 6 bar and pressure drop $\Delta p = 0.09$ bar



Indicație

If several devices in the »multifix-mini« Series are assembled together, the maximum working pressure is 12 bar.

Alte date sunt disponibile la cerere.

Descriere

Micro-filters for compliance with strict compressed air purity requirements. Suitable for all applications where standard filters do not afford the desired efficiency.

Articol

Denumire	Filet	Debit (L/min)	A (mm)	B	C (mm)	D (mm)	DN
K- 07 25 10 54	G 1/8	230	40,0	114,8 mm	12,3	102,5	5
K- 07 25 10 56	G 1/4	450	40,0	138,1 mm	12,3	125,8	5

Piese de schimb

K-AUTOMAT ABLASSVENTIL	Automatic drain valve
K-KOPPELPAKET MEHR	Coupling packet