

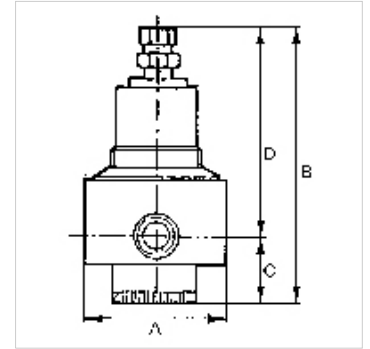
K-DRG RUECKSTERERBAR M MANO VA

Reversible, stainless steel pressure regulators with self-relieving design, stainless steel pressure gauge

HANSA FLEX

Caracteristici

Presiune de intrare	Max. 30 bar (Control range 0.5 - 8.0 bar), Max. 50 bar (Control range 1.0 - 15.0 bar)
Temperatură mediu	max. 80 °C
Temperatură ambientală	Max. 80 °C
Material de etanșare	FKM
Membrană	PTFE
Material	stainless steel 1.4404 (AISI 316L)
Măsurarea valorii debitului	At P1 = 8 bar, P2 = 6 bar and pressure drop $\Delta p \leq 1$ bar



Indicație

Alte date sunt disponibile la cerere.

Descriere

Stainless steel regulators containing no non-ferrous metals for use in the food processing, chemical, mining, plant construction and special machinery industries as well as in the medical technology.

Indicații referitoare comandă

NPT thread available on request

Articol

Denumire	Filet	Domeniu de reglare	Debit (L/min)	A (mm)	B	C (mm)	D (mm)
K- 07 25 02 06	G 1/4	0.5 - 8.0 bar	200	65,0	162,0 mm	37,0	125,0
K- 07 25 02 07	G 1/4	1.0 - 15.0 bar	330	65,0	162,0 mm	37,0	125,0
K- 07 25 02 04	G 1/2	0.5 - 8.0 bar	660	80,0	164,0 mm	37,0	127,0
K- 07 25 02 05	G 1/2	1.0 - 15.0 bar	1800	80,0	164,0 mm	37,0	127,0

Piese de schimb

K-HALTERBAUSATZ EDELSTAHL	Holder
K-MANO	Pressure gauges (CrNi steel type / connection on rear)
K-VERSCHLEI-SATZ	Set of wearing parts