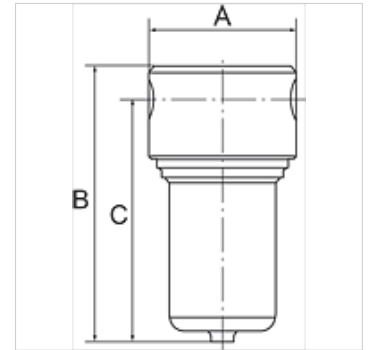


# K-FI VA

## Filters

### Caracteristici

Presiune de intrare	Max. 50 bar
Temperatură mediu	max. 80 °C
Temperatură ambientală	Max. 80 °C
Mărimea porilor în elementul filtrant	50 µm
Material de etanşare	FKM
Material	stainless steel 1.4404 (AISI 316L)
Drain valve	Locking screw
Măsurarea valorii debitului	At P1 = 6 bar and pressure drop $\Delta p \leq 0.6$ bar



### Indicație

Alte date sunt disponibile la cerere.

### Descriere

Stainless steel filters containing no non-ferrous metals for use in the food processing, chemical, mining, plant construction and special machinery industries as well as in the medical technology.

### Indicații referitoare comandă

Important: This is not a sterile filter! With filter element 5 µm available on request. With manual or fully automatic drain valve on request. With NPT threads available on request.

### Articol

Denumire	Filet	Debit (L/min)	A (mm)	B	C (mm)
K- 07 25 05 59	G 1/4	2500	64,0	139,0 mm	125,0
K- 07 25 05 58	G 1/2	3400	80,0	150,0 mm	130,0

### Accesorii

K-HALTERBAUSATZ Holder

### Piese de schimb

K-VERSCHLEI-SATZ Set of wearing parts