

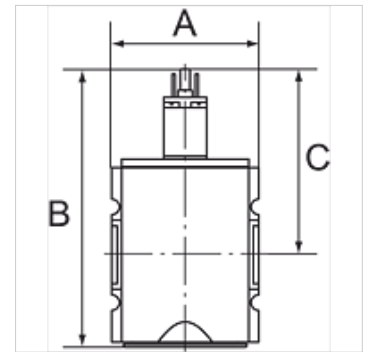
K-WV 3/2 ELK 230 VAC / 50HZ HANSA

3/2-way valves, electrically operated, with 230 VAC / 50 Hz solenoid

HANSA FLEX

Caracteristici

Presiune de intrare	2 - 10 bar
Domeniu de temperaturi	-10 °C to +50 °C
Medii	Aer comprimat
Putere de pornire tensiune alternativă 50Hz	2,2 VA
Durată de comutare	ED 100 %
Conexiune electrică	Connector type C, ISO 15217, 2 poles +PE
Putere de menținere tensiune alternativă 50 Hz	1,6 VA
Putere absorbită DC	2,5 W
Tip de protecție	IP 65
Filet de conectare	Material: Die-cast zinc
Carcasă	Material: Grivory® (PA 66)
Măsurarea valorii debitului	At P2 = 6 bar, pressure drop $\Delta p = 1$ bar



Indicație

Alte date sunt disponibile la cerere.

Descriere

Pneumatic systems or parts of systems can be switched on and off by means of an electrical signal. When they are switched off, the system is exhausted at the same time.

Indicații referitoare comandă

Valves are also available with coil 110 V AC, 50 Hz and in a pneumatically operated version. Please ask for more information.

Articol

Denumire	Filet	Evacuare	Debit (L/min)	A (mm)	B	C (mm)
K- 07 25 11 09	G 1/4	1/4	2000	52,0	117,8 mm	84,8
K- 07 25 11 10	G 3/8	1/4	2000	52,0	117,8 mm	84,8
K- 07 25 11 35	G 3/8	1/2	4500	63,0	150,3 mm	93,8
K- 07 25 11 36	G 1/2	1/2	4500	63,0	150,3 mm	93,8
K- 07 25 11 41	G 3/4	1/2	12500	85,0	177,7 mm	110,7
K- 07 25 11 42	G 1	1/2	12500	85,0	177,7 mm	110,7

Accesorii

K-SCHALLDAE SINTERBR S	Silencers, sintered bronze, slotted
K-SCHALLDAE SINTERBR GE MS1	Silencers, sintered bronze, with brass hexagon nut and brass thread

Piese de schimb

K-HALTERBAUSATZ HANSA	Holder HANSA
K-VORSTEUERVENTIL HANSA	Replacement solenoid HANSA
K-GERAETESTECKER FORM C	Connector