

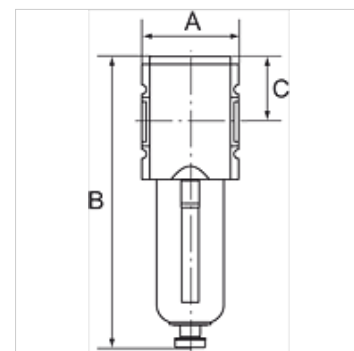
K-FI AK KOH PC-BEHAE SCHUTZK HANSA

Activated carbon filters

HANSA FLEX

Caracteristici

Presiune de intrare	0 - 16 bar
Domeniu de temperaturi	-10 °C to +50 °C
Medii	Aer comprimat
Filet de conectare	Material: Die-cast zinc
Recipient	Polycarbonate (with bayonet lock)
Element filtrant	Activated carbon
Carcasă	Material: Grivory® (PA 66)
Coș de protecție	Polyamide
Conținut de ulei rezidual	0.005 mg/m ³ , class 0 acc. to DIN ISO 8573-1
Măsurarea valorii debitului	At P2 = 6 bar and pressure drop $\Delta p = 0.5$ bar



Indicație

Alte date sunt disponibile la cerere.

Descriere

Activated carbon filters in modern design for compliance with strict compressed air purity requirements. Activated carbon filters are used to absorb oil vapour up to a residual oil content of 0.005 mg/m³ from compressed air and gases.

Articol

Denumire	Filet	Debit (L/min)	A (mm)	B	C (mm)
K- 07 25 10 41	G 1/4	500	52,0	157,0 mm	34,0
K- 07 25 10 42	G 3/8	500	52,0	157,0 mm	34,0
K- 07 25 10 43	G 3/8	1600	63,0	183,0 mm	42,5
K- 07 25 10 44	G 1/2	1600	63,0	183,0 mm	42,5
K- 07 25 10 23	G 3/4	3000	85,0	240,5 mm	58,0
K- 07 25 10 24	G 1	3000	85,0	240,5 mm	58,0

Piese de schimb

K-HALTERBAUSATZ HANSA	Holder HANSA
K-ERSATZBEHAELTER HANSA POLY	Spare tank HANSA polycarbonat