

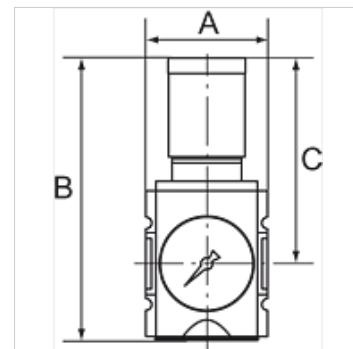
K-DRG DRVS HANSA

Pressure regulators with continuous pressure supply

HANSA FLEX

Caracteristici

| | |
|-----------------------------|---|
| Presiune de intrare | Max. 16 bar |
| Domeniu de temperaturi | -10 °C to +50 °C |
| Medii | Aer comprimat |
| Filet de conectare | Material: Die-cast zinc |
| Carcasă | Material: Grivory® (PA 66) |
| Membrană | NBR |
| Consum de aer propriu | only G3/4, G1 Max. 1.5 l/min (depending on secondary pressure) |
| Măsurarea valorii debitului | At P1 = 10 bar, P2 = 6.3 bar and pressure drop $\Delta p = 1$ bar |



Indicație

Alte date sunt disponibile la cerere.

Descriere

Diaphragm pressure regulators with self-relieving design and excellent flow rates in modern design for mounting side by side. By assembling two or more controllers together, it is possible to supply several working air circuits with different output pressures via a single supply line. The regulator button can be latched and locked.

Indicații referitoare comandă

The price does not include a key lock. Please order separately.

Articol

| Denumire | Filet | Domeniu de reglare | Debit (L/min) | A (mm) | B | C (mm) | Dimensiunea constructivă |
|---------------|-------|--------------------|---------------|--------|----------|--------|--------------------------|
| K-07 25 02 51 | G 1/4 | 0.1 - 1 bar | 2200 | 52,0 | 128,5 mm | 95,5 | 1 |
| K-07 25 02 52 | G 1/4 | 0.1 - 2 bar | 2200 | 52,0 | 128,5 mm | 95,5 | 1 |
| K-07 25 02 53 | G 1/4 | 0.2 - 4 bar | 2200 | 52,0 | 128,5 mm | 95,5 | 1 |
| K-07 25 02 54 | G 1/4 | 0.5 - 8 bar | 2200 | 52,0 | 128,5 mm | 95,5 | 1 |
| K-07 25 02 55 | G 1/4 | 0.5 - 10 bar | 2200 | 52,0 | 128,5 mm | 95,5 | 1 |
| K-07 25 02 56 | G 1/4 | 0.5 - 16 bar | 2200 | 52,0 | 128,5 mm | 95,5 | 1 |
| K-07 25 02 69 | G 3/8 | 0.1 - 1 bar | 2600 | 52,0 | 128,5 mm | 95,5 | 1 |
| K-07 25 02 70 | G 3/8 | 0.1 - 2 bar | 2600 | 52,0 | 128,5 mm | 95,5 | 1 |
| K-07 25 02 71 | G 3/8 | 0.2 - 4 bar | 2600 | 52,0 | 128,5 mm | 95,5 | 1 |
| K-07 25 02 72 | G 3/8 | 0.5 - 8 bar | 2600 | 52,0 | 128,5 mm | 95,5 | 1 |
| K-07 25 02 73 | G 3/8 | 0.5 - 10 bar | 2600 | 52,0 | 128,5 mm | 95,5 | 1 |
| K-07 25 02 74 | G 3/8 | 0.5 - 16 bar | 2600 | 52,0 | 128,5 mm | 95,5 | 1 |
| K-07 25 02 57 | G 3/8 | 0.1 - 1 bar | 4300 | 63,0 | 149,5 mm | 110,0 | 2 |
| K-07 25 02 58 | G 3/8 | 0.1 - 2 bar | 4300 | 63,0 | 149,5 mm | 110,0 | 2 |
| K-07 25 02 59 | G 3/8 | 0.2 - 4 bar | 4300 | 63,0 | 149,5 mm | 110,0 | 2 |
| K-07 25 02 60 | G 3/8 | 0.5 - 8 bar | 4300 | 63,0 | 149,5 mm | 110,0 | 2 |
| K-07 25 02 61 | G 3/8 | 0.5 - 10 bar | 4300 | 63,0 | 149,5 mm | 110,0 | 2 |
| K-07 25 02 62 | G 3/8 | 0.5 - 16 bar | 4300 | 63,0 | 149,5 mm | 110,0 | 2 |
| K-07 25 02 63 | G 1/2 | 0.1 - 1 bar | 5000 | 63,0 | 149,5 mm | 110,0 | 2 |
| K-07 25 02 64 | G 1/2 | 0.1 - 2 bar | 5000 | 63,0 | 149,5 mm | 110,0 | 2 |
| K-07 25 02 65 | G 1/2 | 0.2 - 4 bar | 5000 | 63,0 | 149,5 mm | 110,0 | 2 |
| K-07 25 02 66 | G 1/2 | 0.5 - 8 bar | 5000 | 63,0 | 149,5 mm | 110,0 | 2 |
| K-07 25 02 67 | G 1/2 | 0.5 - 10 bar | 5000 | 63,0 | 149,5 mm | 110,0 | 2 |
| K-07 25 02 68 | G 1/2 | 0.5 - 16 bar | 5000 | 63,0 | 149,5 mm | 110,0 | 2 |

Accesorii

K-STECKSCHLOSS Key lock

Piese de schimb

| | |
|--------------------------|--------------------|
| K-HALTERBAUSATZ HANSA | Holder HANSA |
| K-SCHALTAFELMUTTER HANSA | Nut HANSA |
| K-DICHTSATZ HANSA | Set of seals HANSA |