

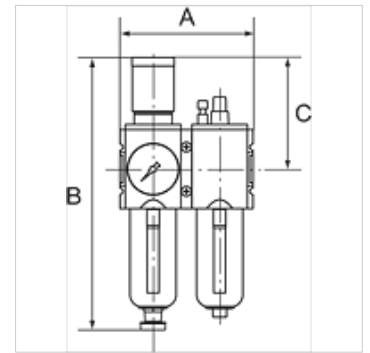
K-WTEH 2-TLG PC SCHU MANO HANSA

Service units, 2-piece with polycarbonate bowl, bowl guard and pressure gauge

HANSA FLEX

Caracteristici

Presiune de intrare	1.5 - 16 bar
Presiune de ieșire	0.5 - 8 bar
Domeniu de temperaturi	-10 °C to +50 °C
Medii	Aer comprimat
Finețea filtrului	5,00 μm
Filet de conectare	Material: Die-cast zinc
Recipient	Polycarbonate (with bayonet lock)
Element filtrant	Cellpor (PE)
Carcasă	Material: Grivory® (PA 66)
Membrană	NBR
Coș de protecție	Polyamide
Cap ungător	PA
Consum de aer propriu	Max. 1.5 l/min (depending on secondary pressure)
Măsurarea valorii debitului	At P1 = 10 bar, P2 = 6.3 bar and pressure drop Δp = 1 bar



Indicație

Alte date sunt disponibile la cerere.

Descriere

Two or three-piece service units with excellent flow rates in modern design. Lockable diaphragm pressure regulator with secondary ventilation, oil can be filled without interrupting operation.

Indicații referitoare comandă

The price does not include a key lock. Please order separately.

Articol

Denumire	Filet	Debit (L/min)	A (mm)	B	C (mm)	Scurgere pentru condens
K- 07 25 14 77	G 1/4	1800	104,0	225,0 mm	95,5	Semi
K- 07 25 14 78	G 3/8	1800	104,0	225,0 mm	95,5	Semi
K- 07 25 14 79	G 3/8	3500	126,0	257,0 mm	110,0	Semi
K- 07 25 14 80	G 1/2	3500	126,0	257,0 mm	110,0	Semi
K- 07 25 14 81	G 3/4	12000	170,0	329,0 mm	137,0	Semi
K- 07 25 14 82	G 1	12000	170,0	329,0 mm	137,0	Semi
K- 07 25 14 83	G 1/4	1800	104,0	243,0 mm	95,5	Auto
K- 07 25 14 84	G 3/8	1800	104,0	243,0 mm	95,5	Auto
K- 07 25 14 85	G 3/8	3500	126,0	274,0 mm	110,0	Auto
K- 07 25 14 86	G 1/2	3500	126,0	274,0 mm	110,0	Auto
K- 07 25 14 87	G 3/4	12000	170,0	343,0 mm	137,0	Auto
K- 07 25 14 88	G 1	12000	170,0	343,0 mm	137,0	Auto

Accesorii

K-STECKSCHLOSS Key lock

Piese de schimb

K-HALTERBAUSATZ HANSA	Holder HANSA
K-ERSATZBEHAELTER HANSA POLY	Spare tank HANSA polycarbonat
K-FILTERELEMENT	Filter element
K-TROPFAUFSATZ HANSA	Drip attachment HANSA

K-WTEH 2-TLG PC SCHU MANO HANSA

Service units, 2-piece with polycarbonate bowl, bowl guard and pressure gauge

HANSA FLEX
