

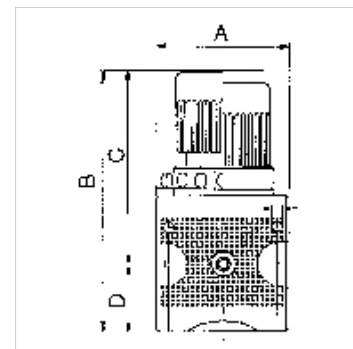
K-PRAEZI DRUCKREGLER MULTIFIX

Precision pressure regulators

HANSA FLEX

Caracteristici

Presiune de intrare	Max. 16 bar
Temperatură mediu	max. 60 °C
Temperatură ambientală	Max. 60 °C
Material de etanșare	NBR
Apărătoare de arc	POM-brass
Carcasă	Die-cast zinc
Consum de aer propriu	2.6 l/min, depending on secondary pressure
Măsurarea valorii debitului	At P1 = 8 bar, P2 = 6 bar and pressure drop $\Delta p = 1$ bar



Indicație

Alte date sunt disponibile la cerere.

Descriere

Diaphragm pressure regulators, independent of inlet pressure, with self-relieving design and very high flow rate. The pressure setting can be locked by pushing the button down.

Indicații referitoare comandă

Lockable precision pressure regulators available on request

Articol

Denumire	Filet	Domeniu de reglare	Debit (L/min)	A (mm)	B	C (mm)	D (mm)	DN	Dimensiunea constructivă
K- 07 25 00 37	G 1/4	0.1 - 3 bar	1500	47,8	94,8 mm	67,0	27,8	6	1
K- 07 25 00 38	G 1/4	0.2 - 6 bar	1500	47,8	94,8 mm	67,0	27,8	6	1
K- 07 25 00 36	G 1/4	0.5 - 10 bar	1500	47,8	94,8 mm	67,0	27,8	6	1
K- 07 25 00 40	G 1/2	0.1 - 3 bar	6000	68,8	134,1 mm	99,0	35,1	15	2
K- 07 25 00 41	G 1/2	0.2 - 6 bar	6000	68,8	134,1 mm	99,0	35,1	15	2
K- 07 25 00 39	G 1/2	0.5 - 10 bar	6000	68,8	134,1 mm	99,0	35,1	15	2

Piese de schimb

K-HALTERBAUSATZ	Holder
K-SCHALTTAFELMUTTER	Nut
K-HALTERBAUSATZ MULTIFIX	Holder
K-KOPPELPAKET MEHR	Coupling packet
K-KOPPELPAKET SCHMA	Coupling packet
K-VERSCHLEI-SATZ	Set of wearing parts