

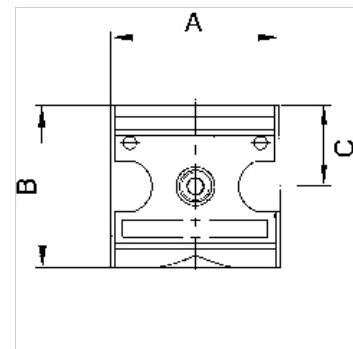
K-VT BREIT MULTIFIX

Manifolds - wide design

HANSA FLEX

Caracteristici

Presiune de intrare	Max. 16 bar
Temperatură mediu	max. 60 °C
Temperatură ambientală	Max. 60 °C
Material de etanșare	NBR
Carcasă	Die-cast zinc
Măsurarea valorii debitului	At P1 = 6 bar and pressure drop $\Delta p = 1$ bar



Indicație

Flow rate l/min at P → A

Alte date sunt disponibile la cerere.

Descriere

Wide or narrow, four-way manifolds.

Articol

Denumire	Outlets	Filet	Debit (L/min)	A (mm)	B	C (mm)	Dimensiunea constructivă
K- 07 25 11 73	4 x 1/4	G 1/4	2500	47,8	52,0 mm	26,0	1
K- 07 25 11 74	4 x 1/4	G 3/8	2500	47,8	52,0 mm	26,0	1
K- 07 25 11 75	2 x 1/4, 2 x 1/2	G 1/2	11000	68,8	67,0 mm	33,5	2
K- 07 25 11 76	2 x 1/4, 2 x 1/2	G 3/4	11000	68,8	67,0 mm	33,5	2

Accesorii

K-DRS WECHSELKONTAK ANFLANSCHBAR DS	Pressure switches, changeover type, suitable for flange mounting K-07302861
K-ZUBEH HANSA	Accessories for pressure switch HANSA

Piese de schimb

K-KOPPELPAKET MEHR	Coupling packet
K-KOPPELPAKET SCHMA	Coupling packet