

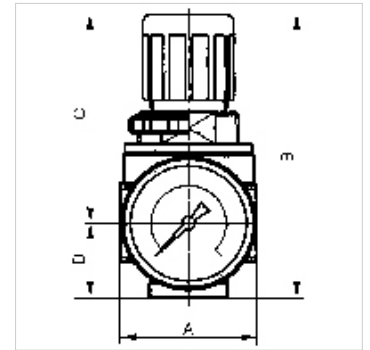
K-DRG DRVS MULTIFIX MINI

Pressure regulators with pressure supply at both ends

HANSA FLEX

Caracteristici

Presiune de intrare	Max. 16 bar
Temperatură mediu	max. 60 °C
Temperatură ambientală	Max. 60 °C
Material de etanșare	NBR
Apărătoare de arc	POM-brass
Carcasă	Die-cast zinc
Măsurarea valorii debitului	At P1 = 8 bar, P2 = 6 bar and pressure drop $\Delta p = 1$ bar



Indicație

Alte date sunt disponibile la cerere.

Descriere

Diaphragm pressure regulators with self-relieving design for mounting side by side. The pressure setting can be locked by pushing the button down.
By assembling two or more controllers together, it is possible to supply several working air circuits with different output pressures via a single supply line.

Indicații referitoare comandă

The port for the output pressure (P2) is on the rear! K-07250028: G 1/8. Lockable pressure regulator: K-07250027. If several devices in the »multifix-mini« Series are assembled together, the maximum working pressure is 12 bar.

Articol

Denumire	Filet	Domeniu de reglare	Debit (L/min)	A (mm)	B	C (mm)	D (mm)	DN	Dimensiunea constructivă
K- 07 25 00 28	G 1/4	0.1 - 3 bar	1200	40,0	85,0 mm	63,0	22,0	5	0
K- 07 25 00 29	G 1/4	0.2 - 6 bar	1200	40,0	85,0 mm	63,0	22,0	5	0
K- 07 25 00 27	G 1/4	0.5 - 10 bar	1200	40,0	85,0 mm	63,0	22,0	5	0

Piese de schimb

K-HALTERBAUSATZ	Holder
K-SCHALTTAFELMUTTER	Nut
K-KOPPELPAKET MEHR	Coupling packet
K-VERSCHLEI-SATZ	Set of wearing parts