

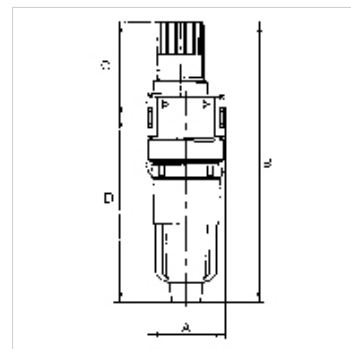
K-NEBELOELER PC-BEHÄELER MULTIFIX MIN

Oil-mist lubricators with polycarbonate bowl

HANSA FLEX

Caracteristici

Presiune de intrare	Max. 16 bar (polycarbonate bowl), Max. 20 bar (metal bowl)
Temperatură mediu	max. 60 °C
Temperatură ambientală	Max. 60 °C
Debit	1000 l/min
Material de etanșare	NBR
Carcasă	Die-cast zinc
Cap ungător	PA (polycarbonate bowl), Zinc-glass-NBR (metal bowl)
Sortiment de ulei	CL 32 acc. to DIN 51517 - ISO VG 32
Măsurarea valorii debitului	At P2 = 6 bar and pressure drop $\Delta p = 1$ bar



Indicație

If several devices in the »multifix-mini« Series are assembled together, the maximum working pressure is 12 bar.

Alte date sunt disponibile la cerere.

Descriere

Micro-lubricator, oil can be filled under pressure.

Articol

Denumire	Filet	A (mm)	B	C (mm)	D (mm)	DN	Dimensiunea constructivă
K- 07 25 00 87	G 1/8	40,0	145,1 mm	49,6	95,5	5	0
K- 07 25 00 89	G 1/4	40,0	145,1 mm	49,6	95,5	5	0

Piese de schimb

K-AUTOMAT ABLASSVENTIL	Automatic drain valve
K-KOPPELPAKET MEHR	Coupling packet
K-ERSATZBEHÄELTER MULTI MINI	Spare tank »multifix-mini« & »standard-mini«
K-TROPFAUFSATZ POLYCARBO 1	Drip attachment polycarbonate
K-TROPFAUFSATZ METALL	Drip attachment metal