

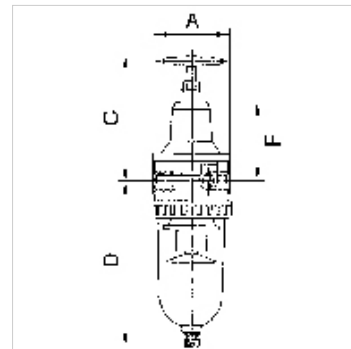
K-FI REGL PC-BEHÄLTER H ABLV STANDARD

Filter regulators with polycarbonate bowl and semi-automatic drain valve

HANSA FLEX

Caracteristici

| | |
|--|---|
| Presiune de intrare | Max. 16 bar (polycarbonate bowl), Max. 25 bar (metal bowl) |
| Domeniu de reglare | 0.5 to 10 bar (polycarbonate bowl), 0.5 to 16 bar (metal bowl) |
| Temperatură mediu | max. 60 °C |
| Temperatură ambientală | Max. 60 °C |
| Mărimea porilor în elementul filtrant | 5 µm (Size 1 / Size 3), 40 µm (Size 2 / Size 4) |
| Material de etanşare | NBR |
| Carcasă | Die-cast zinc (G1/4 to G1/2), silver painted/aluminium (G3/4 to G1), silver painted |
| Măsurarea valorii debitului | At P1 = 8 bar, P2 = 6 bar and pressure drop $\Delta p = 1$ bar |



Indicație

Alte date sunt disponibile la cerere.

Descriere

Reversible diaphragm pressure regulators, independent of inlet pressure, with selfrelieving design, combined with a centrifugal separator.

Articol

| Denumire | Filet | Debit (L/min) | A (mm) | C (mm) | D (mm) | DN | F (mm) |
|----------------|-------|---------------|--------|--------|--------|----|--------|
| K- 07 25 06 67 | G 1/4 | 900 | 54,0 | 106,5 | 129,7 | 8 | 62,0 |
| K- 07 25 06 70 | G 3/8 | 900 | 54,0 | 106,5 | 129,7 | 8 | 62,0 |
| K- 07 25 06 73 | G 3/8 | 1500 | 70,0 | 120,5 | 145,9 | 11 | 76,5 |
| K- 07 25 06 76 | G 1/2 | 3000 | 82,0 | 130,0 | 169,4 | 14 | 83,0 |
| K- 07 25 06 79 | G 3/4 | 7000 | 125,0 | 190,6 | 261,4 | 25 | 145,0 |
| K- 07 25 06 82 | G 1 | 7000 | 125,0 | 190,6 | 261,4 | 25 | 145,0 |

Piese de schimb

| | |
|----------------------------|---|
| K-HALTERBAUSATZ STANDARD | Holder |
| K-SCHUTZKORB G | Protective cage |
| K-FILTERELEMENT | Filter element |
| K-VERSCHLEI-SATZ | Set of wearing parts |
| K-XV AGM MS NI | Double nipples, parallel male thread, nickel-plated brass |
| K-LOESBARE DOPPELNIPPEL MS | Double nipples |
| K-ABLASSVENTIL AUTO | Fully-automatic drain valve with Adapter G 1/8 |
| K-AUTOMAT ABLASSVENTIL | Automatic drain valve |