

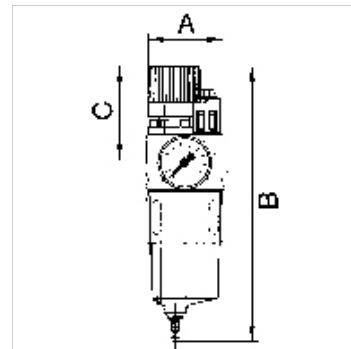
K-WTEH KOMBI PC-BEHÄLTER S H ABLV

Combination service units with polycarbonate bowl, bowl guard and manual drain valve

HANSA FLEX

Caracteristici

Presiune de intrare	Max. 16 bar (polycarbonate bowl), Max. 25 bar (metal bowl)
Temperatură mediu	max. 50 °C
Temperatură ambientală	Max. 50 °C
Mărimea porilor în elementul filtrant	50 µm
Material de etanşare	NBR
Carcasă	Die-cast zinc, Spring bonnet; PA
Cap unghător	PA
Măsurarea valorii debitului	At P1 = 8 bar, P2 = 6 bar and pressure drop $\Delta p = 1$ bar



Indicație

Alte date sunt disponibile la cerere.

Descriere

A filter, pressure regulator and oil-mist lubricator combined in a single device with an extremely compact design. The pressure setting can be locked by pushing the knob down. Oil can be filled under pressure.

Articol

Denumire	Filet	Domeniu de reglare	Debit (L/min)	A (mm)	B	C (mm)
K- 07 25 08 45	G 1/4	0.5 - 10 bar	1400	67,0	217,0 mm	68,5
K- 07 25 08 47	G 1/4	0.5 - 16 bar	1000	67,0	217,0 mm	68,5
K- 07 25 08 49	G 3/8	0.5 - 10 bar	1400	67,0	217,0 mm	68,5
K- 07 25 08 51	G 3/8	0.5 - 16 bar	1000	67,0	217,0 mm	68,5
K- 07 25 08 53	G 1/2	0.5 - 10 bar	1400	65,0	217,0 mm	68,5
K- 07 25 08 55	G 1/2	0.5 - 16 bar	1000	65,0	217,0 mm	68,5
K- 07 25 08 57	G 3/4	0.5 - 10 bar	3400	97,0	296,5 mm	96,5
K- 07 25 08 59	G 3/4	0.5 - 16 bar	2800	97,0	296,5 mm	96,5
K- 07 25 08 61	G 1	0.5 - 10 bar	3400	93,0	296,5 mm	96,5
K- 07 25 08 63	G 1	0.5 - 16 bar	2800	93,0	296,5 mm	96,5

Piese de schimb

K-HALTERBAUSATZ SERIE 81	Holder for series 81
K-ERSATZBEHÄLTER KOMBI	Spare tank
K-SCHUTZKORB G	Protective cage
K-VERSCHLEI-SATZ	Set of wearing parts
K-TROPFAUFSATZ POLYCARBO	Drip attachment polycarbonate
K-TROPFAUFSATZ METALL	Drip attachment metal
K-FILTERELEMENT	Filter element
K-ABLASSVENTIL AUTO	Fully-automatic drain valve with Adapter G 1/8
K-RD NIPPEL KURZ 1	Reducing nipples, short type
K-XV AGM 2	Double nipples, parallel male thread