

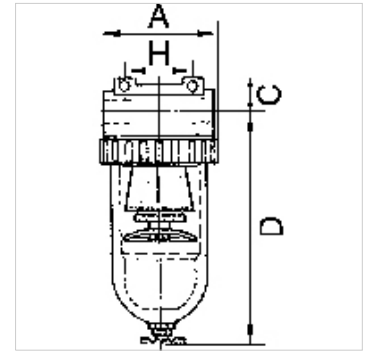
K-FI SPEZI PC-BEHAEL H K STANDARD

Special filters with polycarbonate bowl and bowl guard, with semi-automatic drain valve to G 1/2 and manual drain valve from G 3/4

HANSA FLEX

Caracteristici

Presiune de intrare	Max. 16 bar (polycarbonate bowl / bowl guard), Max. 25 bar (metal bowl)
Temperatură mediu	max. 50 °C
Temperatură ambientală	Max. 50 °C
Randament	99.999 %
Mărimea porilor în elementul filtrant	0.01 µm
Carcasă	Die-cast zinc, painted silver
Măsurarea valorii debitului	At P2 = 6 bar and pressure drop $\Delta p = 1$ bar



Indicație

Alte date sunt disponibile la cerere.

Descriere

For all applications with particularly strict compressed air purity requirements. The separating efficiency of these filters permits very fine oil vapour particles and micro-fine suspended particles to be filtered. A standard filter should always be connected upstream to trap coarse impurities and protect the micro-filter inserts.

Articol

Denumire	Filet	Debit (L/min)	A (mm)	C (mm)	D (mm)	H (mm)	DN
K- 07 25 10 75	G 1/4	380	48,0	14,0	131,6	38,0	6
K- 07 25 10 78	G 3/8	380	48,0	14,0	131,6	38,0	6
K- 07 25 10 80	G 3/8	720	70,0	16,0	145,7	50,0	10
K- 07 25 10 82	G 1/2	1250	79,0	18,0	168,4	50,0	15
K- 07 25 10 85	G 3/4	7000	133,0	36,0	206,0	134,0	20
K- 07 25 10 88	G 1	7000	133,0	36,0	206,0	120,0	25

Piese de schimb

K-HALTERBAUSATZ STANDARD	Holder
K-FILTERELEMENT STANDARD	Filter element
K-SCHUTZKORB G	Protective cage
K-XV AGM MS NI	Double nipples, parallel male thread, nickel-plated brass
K-LOESBARE DOPPELNIPPEL MS	Double nipples