

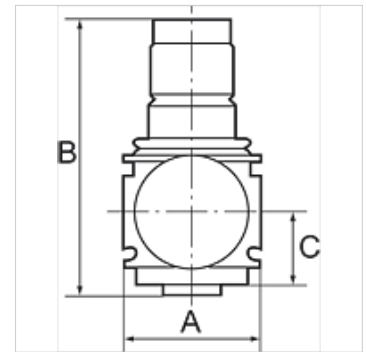
# K-DRG DRVS VARIOBLOC

Pressure regulators with pressure supply at both ends

**HANSA FLEX**

## Caracteristici

Presiune de intrare	Max. 25 bar
Temperatură mediu	max. 50 °C
Temperatură ambientală	Max. 50 °C
Material de etanșare	NBR
Apărătoare de arc	POM-brass
Carcasă	Die-cast zinc
Măsurarea valorii debitului	At P1 = 10 bar, P2 = 6 bar and pressure drop $\Delta p = 1$ bar



## Indicație

Alte date sunt disponibile la cerere.

## Descriere

Diaphragm pressure regulators with self-relieving design for mounting side by side. The pressure setting can be locked by pushing the knob down. <br>By assembling two or more controllers together, it is possible to supply several working air circuits with different output pressures via a single supply line.

## Indicații referitoare comandă

Pressure regulators are also available in lockable version. Please ask for more information.

## Articol

Denumire	Filet	Domeniu de reglare	Debit (L/min)	A (mm)	B	C (mm)
K- 07 25 04 33	G 1/4	0.5 - 6 bar	1800	48,0	98,0 mm	26,0
K- 07 25 04 34	G 1/4	0.5 - 10 bar	1800	48,0	98,0 mm	26,0
K- 07 25 04 35	G 1/4	0.5 - 16 bar	1800	48,0	98,0 mm	26,0
K- 07 25 04 36	G 3/8	0.5 - 6 bar	1800	48,0	98,0 mm	26,0
K- 07 25 04 37	G 3/8	0.5 - 10 bar	1800	48,0	98,0 mm	26,0
K- 07 25 04 38	G 3/8	0.5 - 16 bar	1800	48,0	98,0 mm	26,0

## Piese de schimb

K-VERSCHLEI-SATZ VARIOBLOC Set of wearing parts