

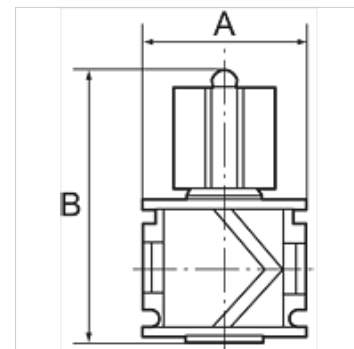
K-3/2-BKR VARIOBLOC

Ball valves

HANSA FLEX

Caracteristici

Temperatură ambientală	Max. 80 °C
Presiune de lucru	Max. 20 bar
Măsurarea valorii debitului	At P1 = 6 bar and pressure drop $\Delta p = 1$ bar



Indicație

Alte date sunt disponibile la cerere.

Descriere

Used as the main shut-off element, especially for flanging onto the start of a variobloc service unit. With pressure relief and silencer. Can be locked with a standard padlock.

Articol

Denumire	Filet	Debit (L/min)	A (mm)	B
K- 07 25 11 89	G 1/4	4300	48,0	80,0 mm
K- 07 25 11 90	G 3/8	4400	48,0	80,0 mm
K- 07 25 11 91	G 1/2	9000	70,0	92,0 mm
K- 07 25 11 92	G 3/4	11000	70,0	92,0 mm
K- 07 25 11 93	G 1	11000	124,0	92,0 mm