

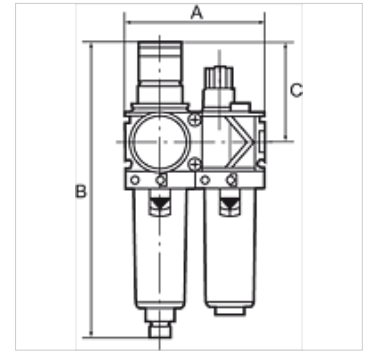
# K-WTEH 2-TLG PC-BEHAEL VARIOBLOC

Service units, 2-piece with polycarbonate bowl

**HANSA FLEX**

## Caracteristici

|  |   |
|--|---|
| <b>Presiune de intrare</b>                   | Max. 16 bar (polycarbonate bowl), Max. 20 bar (metal bowl)      |
| <b>Temperatură mediu</b>                     | max. 50 °C  |
| <b>Temperatură ambientală</b>                | Max. 50 °C (polycarbonate bowl), Max. 80 °C (metal bowl)        |
| <b>Mărimea porilor în elementul filtrant</b> | 40 µm   |
| <b>Material de etanşare</b>                  | NBR   |
| <b>Apărătoare de arc</b>                     | POM   |
| <b>Carcasă</b>                               | Die-cast zinc   |
| <b>Membrană</b>                              | NBR   |
| <b>Cap ungător</b>                           | PA  |
| <b>Drain valve</b>                           | Manual  |
| <b>Măsurarea valorii debitului</b>           | At P1 = 10 bar, P2 = 6 bar and pressure drop $\Delta p = 1$ bar |



## Indicație

Alte date sunt disponibile la cerere.

## Descriere

Two or three-piece service units consisting of a reversible diaphragm pressure regulator, independent of inlet pressure, with self-relieving design, combined with a centrifugal separator and a proportional lubricator. Approved series in modern industrial design, with the following key benefits: Simple handling, Convenient modular assembly thanks to innovative fasteners, Excellent flow values.

## Indicații referitoare comandă

Service units are also available with bowl guard or metal bowl. Service units are also available in other control ranges (0.5 - 6 bar and 0.5 - 16 bar) and in lockable version. Please ask for more information.

## Informații suplimentare

Service units are also available with bowl guard or metal bowl. Service units are also available in other control ranges.

## Articol

| Denumire       | Filet | Domeniu de reglare | Debit (L/min) | A (mm) | B        | C (mm) |
|----------------|-------|--------------------|---------------|--------|----------|--------|
| K- 07 25 13 85 | G 1/4 | 0.5 - 10 bar       | 1500          | 96,0   | 203,0 mm | 68,0   |
| K- 07 25 13 87 | G 3/8 | 0.5 - 10 bar       | 1800          | 96,0   | 203,0 mm | 68,0   |
| K- 07 25 13 89 | G 1/2 | 0.5 - 10 bar       | 3400          | 140,0  | 273,0 mm | 98,0   |
| K- 07 25 13 91 | G 3/4 | 0.5 - 10 bar       | 5000          | 140,0  | 273,0 mm | 98,0   |
| K- 07 25 13 93 | G 1   | 0.5 - 10 bar       | 5000          | 194,0  | 273,0 mm | 98,0   |

## Piese de schimb

|                                  |  |
|----------------------------------|--|
| K-VERSCHLEI-SATZ VARIOBLOC       | Set of wearing parts                           |
| K-FILTERELEMENT VARIOBLOC        | Filter element                                 |
| K-TROPFAUFSATZ VARIOBLOC         | Drip attachment                                |
| K-ERSATZBEHAELTER VARIOBLOC POLY | Spare tank Polycarbonat                        |
| K-ABLASSVENTIL AUTO              | Fully-automatic drain valve with Adapter G 1/8 |
| K-TROPFAUFSATZ METALL            | Drip attachment metal                          |